

Y-pattern Pneumatic Control Valve, with An Actuator of Stainless Steel

YC Series

- **Valve Design**

"Y" style globe valve

- **Size**

1/2" to 2 1/2" (DN15 to DN65)

- **End Connections**

- Female threaded to NPT. DIN259/2999 and BS21
- Socket-welding
- Butt-welding
- Separated flanges

- **Body Material**

CF8M (1.4408)

- **Max. Working Pressure**

16 barg (232 psig)

- **Rated Temperature**

0°C to 180°C (32°F to 356°F)

- **Design Features**

The DIE ERSTE Y-pattern pneumatic control valve is designed with a unique "Y" style globe body that provides higher flow capacities and less process turbulence than conventional globe valves.

Because of its nearly straight-through flow passage, the "Y" style body is less flow restrictive than a normal globe-style body. This permits less pressure to be converted into velocity as the fluid passes through the seat, resulting in a lower valve recovery factor and higher capacity.

- **Actuator Design**

- Single-acting cylinder with fail-safe spring
- Stainless steel cylinder cover

- **Action**

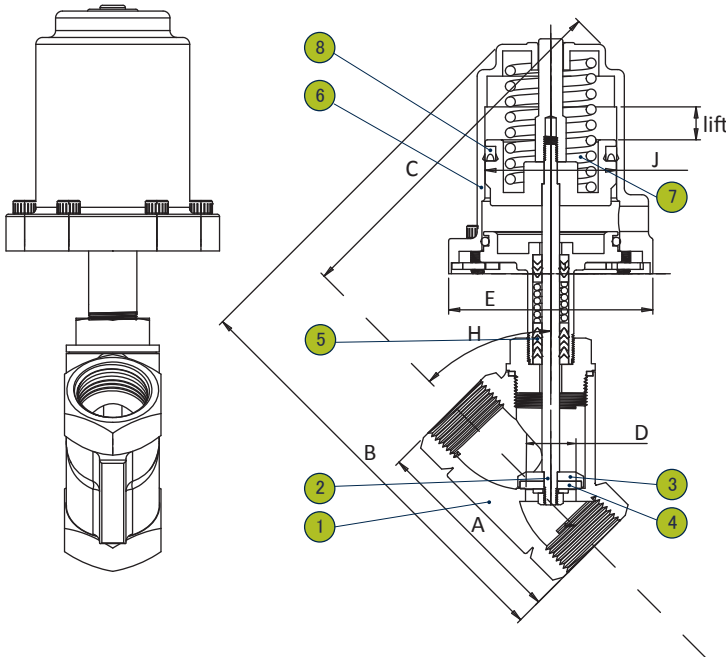
Air-to-open

- **Control Pressure**

3 to 8 barg (43.5 to 116 psig)



1



Materials of structure

No	Part	Material
1	Body	CF8M (1.4408)
2	Stem	SS304
3	Disc	SS304
4	Seat Ring	PTFE
5	Stem Packing	PTFE
6	Cylinder Housing	SS304
7	Spring	SS304
8	U-ring	PTFE + Graphite

Flow coefficient

Size (in.)	1/2"	3/4"	1"	1 1/4"	1 1/2"	2"	2 1/2"
C _v	7	15	24	44	59	96	145
K _v	6.14	12.75	20.82	37.75	50.93	83.18	125.45

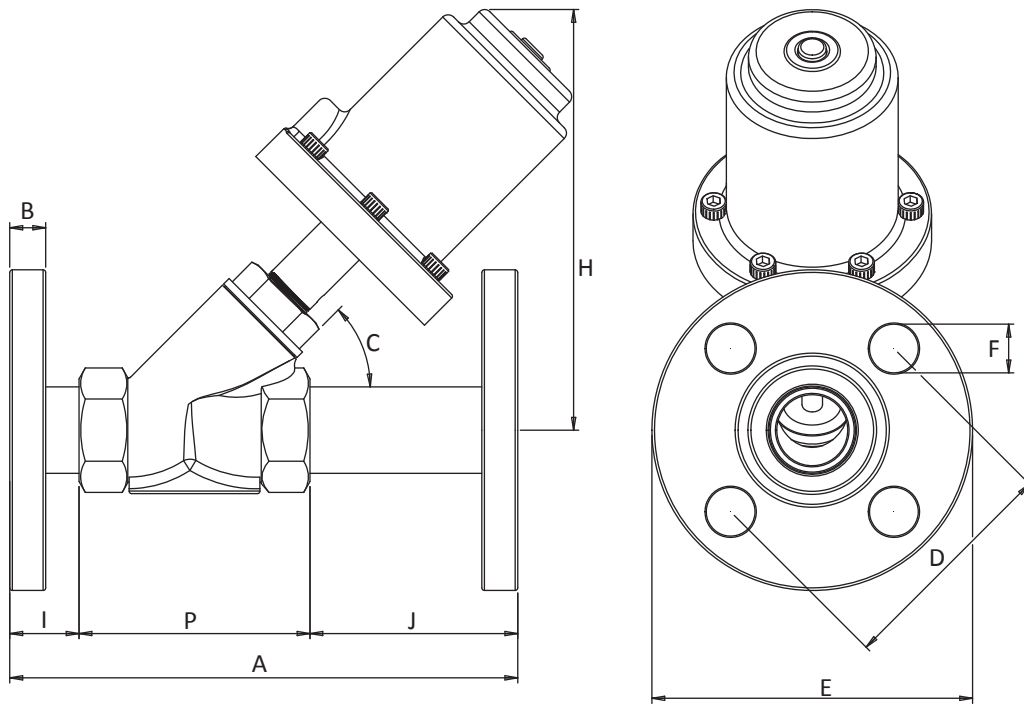
Dimensions

Unit: mm

Size (in.)	A	B	C	D	E	lift	H (degree)	J
1/2"	65.5	174	150	12.5	93	8	45°	60
3/4"	75	182	157	18	93	14	45°	60
1"	90	192	164	23	93	15	45°	60
1 1/4"	111.5	234	203	31	117	18.5	45°	85
1 1/2"	122	241	205	36	117	22.2	45°	85
2"	152	256	212	46	117	19	45°	85
2 1/2"	182	248	252	56.5	117	21.5	55°	85

Y-pattern Pneumatic Control Valve, with An Actuator of Stainless Steel

YC Series



Dimensions

Unit: mm

Size (in.)	A	B	C (degree)	D	E	F	H	I	J	P
1/2"	178.5	12	45°	70	95	15	150	26	87	65.5
3/4"	180	12	45°	75	100	15	157	27	78	75
1"	198	14	45°	90	125	19	164	27	81	90
1 1/4"	231	16	45°	100	135	19	203	28	91.5	111.5
1 1/2"	239	16	45°	105	140	19	206	28	89	122
2"	256	16	45°	120	155	19	212	28	76	152
2 1/2"	288	18	55°	140	175	19	252	28	78	182