

## Model: UNID-PKW

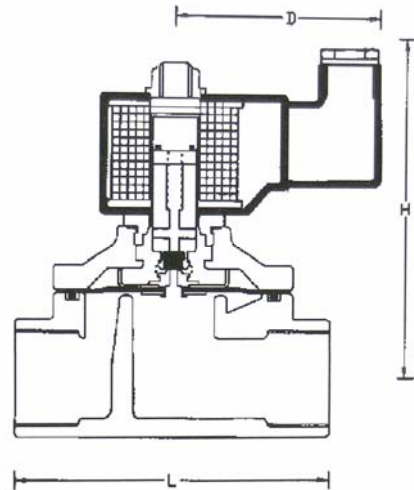
### ELECTRIC SOLENOID VALVE

2-WAY normally closed explosion proof solenoid valve.  
 Type UW is normally closed, can direct operation without pressure.  
 UW Series is direct multiplex-drive, connected to diaphragm, open type.  
 For Fluid : Water , Air , Oil .  
 The available operating pressure : 0-7Kg/cm<sup>2</sup>.  
 Standard voltage : AC 110V/220V ( 50/60 Hz ), DC24V.  
 AC Voltage tolerance ±10%, DC Voltage tolerance ±1%.  
 Other voltage of AC/DC available when required.  
 Viton(130°C), Silicon(130°C), NBR(80°C).  
 Simple construction & easily assemble.  
 Small size , high flow , little electric power required.  
 Installation : Mountable in any position without affecting operation.



### Materials List:

Parts Name	Material
Body	Forge Brass
Coil	<b>EEx mII T4</b>
Core	Stainless Steel
Tube	Stainless Steel
Spring	Stainless Steel
Plug	NBR, Viton, Silicon
Diaphragm	NBR, Viton, Silicon



### Dimensions List:

Model	Size	Cv	Orifice MM	Fluid Temp °C	Max operation pressure DIFF Kg/cm <sup>2</sup>			
					Water	Air	Light Oil	GAS
PKW-10	3/8	2.4	15	-5°C~80°C	0~5	0~7	0~5	0~5
PKW-15	1/2	4.5	15	-5°C~80°C	0~5	0~7	0~5	0~5
PKW-20	3/4	8.6	20	-5°C~80°C	0~5	0~7	0~5	0~5
PKW-25	1	12	25	-5°C~80°C	0~5	0~7	0~5	0~5