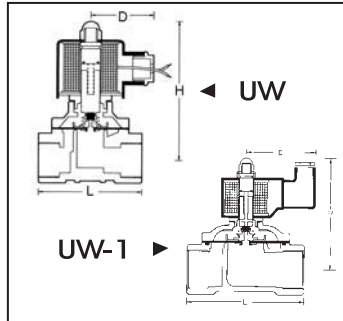


# UW(-1) . UW(-1)NO Series

## UW/UW-1 Series



1. UW(-1)series is pilot diaphragm drive,normal close.
2. Valve body made of 3/8"~1" brass or 1/4"~2" cast bronze.
3. UW can be operated directly without pressure
4. Standard voltage: 110VAC / 220VAC / 24VDC
5. Other special AC/DC can be made to client's order.
6. Screwed end: BSPT, NPT, BSP.
8. Viton(130°C), Silicon(130°C), NBR(80°C).
9. AC Voltage tolerance:  $\pm 10\%$  .  
DC Voltage tolerance:  $\pm 1\%$

MATERAIL	
PARTS	MATERAIL
Body	Forge Brass / Cast Bronze
Coil	Special Copper Wire (H)
Core	Stainless Steel
Tube	Stainless Steel
Spring	Stainless Steel
Plug	NBR,Viton,Silicon
Diaphragm	NBR,Viton,Silicon

DIN	MODEL	PIPE SIZE	Cv	ORIFICE	FLUID TEMP °C	MAX. OPERATING PRESSURE DIFF. KG/CM <sup>2</sup>			DIMENSION(mm)			WEIGHT (kg)
						AIR	WATER	LIGHT OIL	L	H	D	
●	UW-10	3/8"	2.4	15 mm	-5C ~ 80C	0-7	0-5	0-5	70	100	50	0.9
●	UW-15	1/2"	4.5	15 mm	-5C ~ 80C	0-7	0-5	0-5	70	100	50	0.9
●	UW-20	3/4"	8.6	20 mm	-5C ~ 80C	0-7	0-5	0-5	73	102	50	1.0
●	UW-25	1"	12	25 mm	-5C ~ 80C	0-7	0-5	0-5	93	106	50	1.8
●	UW-35-1	1 1/4"	24	35 mm	-5C ~ 80C	0-7	0-5	0-5	125	140	58	3.2
●	UW-40-1	1 1/2"	28	40 mm	-5C ~ 80C	0-7	0-5	0-5	125	140	58	3.5
●	UW-50-1	2"	48	50 mm	-5C ~ 80C	0-7	0-5	0-5	167	170	58	5.4