

RegO - Goddard Stainless Steel Globe Valve for Cryogenic Service SK Series

Application

The SK Series globe valves are designed for the handling of cryogenic liquids through trailer, bulk tanks and piping configurations. Our time tested spring loaded stem packing and superior seat design provide for long life and easy maintenance

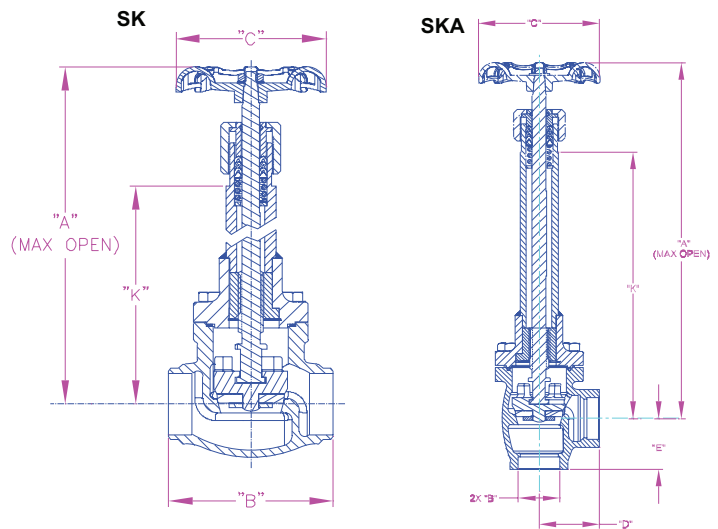
Features

- **Superior Flow:** Provides high Cv for rapid and reliable trailer and tank loading and unloading.
- **Top Entry:** Rugged stainless steel soft seated crogenic globe valve. This valve can be permanently installed in the line and serviced from the top.
- **Soft Seated:** PCTFE seat provides a virtually bubble tight seal and is replaceable.
- **Stem Packing:** RegO BK Series V-Ring spring loaded packing provides extended service life without constant packing adjustment.
- **Sizes:** ¼" Through 2" - 8.mm through 50mm
- **Ends:** Socket weld and butt weld.
- **Service:** Liquified and vaporized atmospheric gases, LNG
- **Temperature Rating:** -325°F to +150°F (-198°C to +65°C)
- **Pressure Rating:** (Cold, Non-Shock) 725 PSIG (50 BAR) Class 300



Materials

Body	Stainless Steel
Bonnet and Tube	Stainless Steel
Seat Disk	PCTFE
Seat Retainer.....	Brass
Packing Spring/Washer.....	Stainless Steel
Stem	Stainless Steel
Packing.....	PTFE
Handwheel.....	Chromate Coated Ductile Iron
Bonnet Gasket.....	PTFE
Fasteners (Bolts).....	Stainless Steel



Ordering Information

Part Number	Size	Connection	"A"	"B"	"C"	"K"	Cv
SK9402BW	¼"	Buttweld	14.40	2.68	3.00	10.65	-
SK9404BW	½"			3.62	4.00	10.49	
SK9406BW	¾"					10.49	
SK9408BW	1"		14.60	4.75	4.75	10.42	28.3
SK9412BW	1½"		16.21	5.75	5.25	11.11	53
SKA9412SE	1½"	Socket Weld	14.60		4.75	10.42	26.4