



Model: JY-311F-CHECK

Rating: 1000

Design feature:

- Applications for Hydraulic, Chemical, Steam, Oil/ Gas, Oxygen, Vacuum.
- Reduced Dimensions And Weights.
- Installation In Any Position Even With Downward Flow.
- Suitable For Working As Over press Valve, Vacuum Breaker Valve, Bottom Valve.
- With Metal-to-metal Seat.
- Full port, Very Low Pressure Drops.
- Investment cast body & cap construction.
- End connections: Female pipe threaded, butt-weld end.
- DIN 50049-3.1 Certificate Available

Specifications:

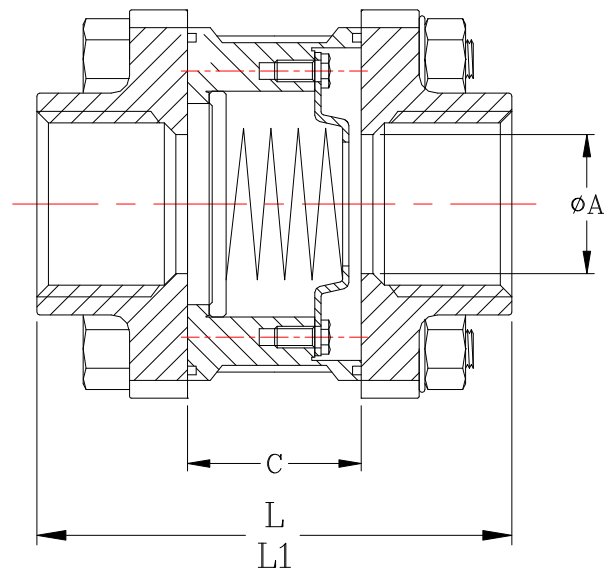
- Construction: Three-piece bolted cap & spring load disc design.
- Flow bore: Full port.
- Rating: 1000 PSI; 150 PSI Saturated Steam.
- Temperature: -20°F ~ 400°F (PTFE/ R.PTFE)
- Materials: EN10213-4 1.4408
- Size range: 1/4"~4" (DN8~100).

Standard:

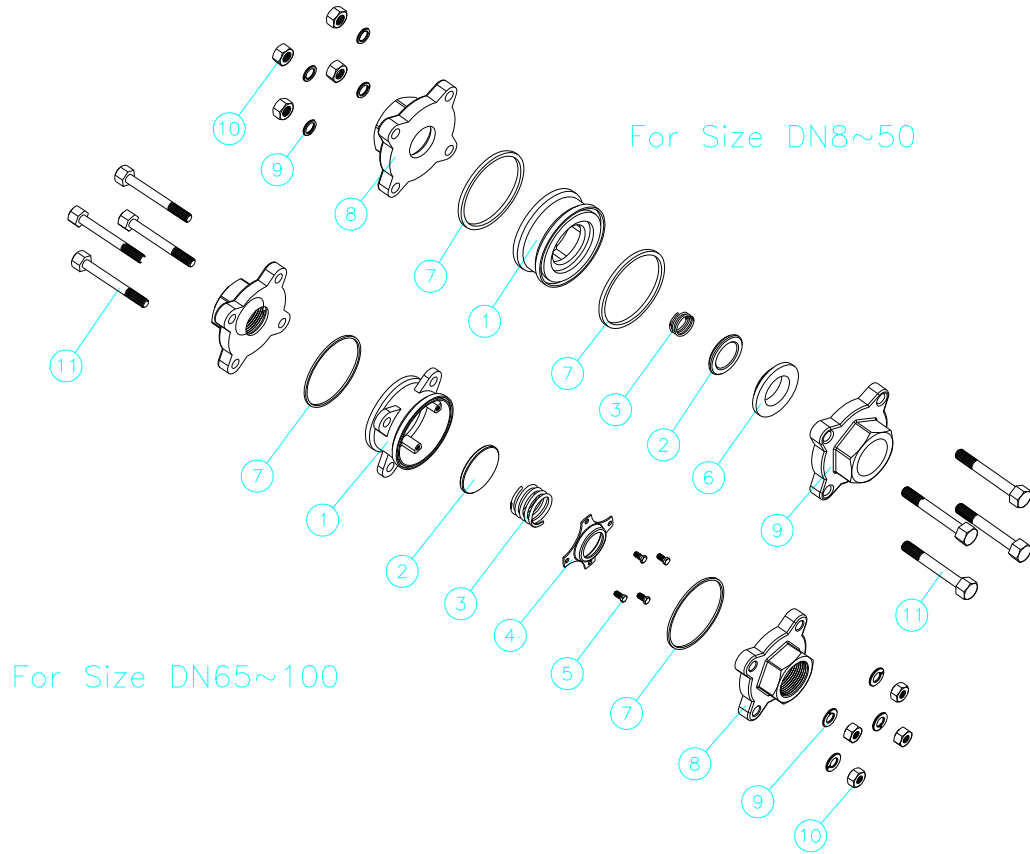
- Female pipe Threaded to NPT, DIN 259/2999, BS21..
- Inspection & testing according to API 598.
- PED 97/23/EC; ISO 9001

Dimensions List:

Size	A	C	L	L1
1/4"	11	18	65	65
3/8"	13	18	65	65
1/2"	15	18	65	65
3/4"	20	22	70	80
1"	25	28	78	88
1-1/4"	32	32	96	96
1-1/2"	38	37	102	107
2"	50	47	118	128
2-1/2"	65	47	145	150
3"	80	55	156	171
4"	97	70	185	215



L: SCREW & SOCKET-WELD END.
L1: BUTT-WELD END.



MATERIALS LIST:

NO	PART NAME	MATERIAL	NO	PART NAME	MATERIAL
1	BODY	EN10213-4 1.4408	8	END CAP	EN10213-4 1.4408
2	DISC	SS 316	9	WASHER	SS 304
3	SPRING	SS 316	10	NUT	SS 304
4	SPRING HOLDER	SS 316	11	BOLT	SS 304
5	SCREW	SS 316			
6	INSERT	EN10213-4 1.4408			
7	BODY SEAL	PTFE			