

High Qlty  
Best Service  
Check Valve

**DIXON Ind., Ltda**  
**IMFLUID Ltda**  
Compañía 1973, Santiago, Chile  
Central (Fax): 56-02-6967479

**MODEL NO : Ret. Chap. INOX**

**STAINLESS STEEL SWING CHECK VALVE**

**SIZE : 3/8" ~ 3"**

**INVESTMENT CASTING**

**CONNECTING THREADS CONFORM TO**

**ANSI B2.1 , BS21 , DIN**

**WORKING PRESSURE : 200 PSI**

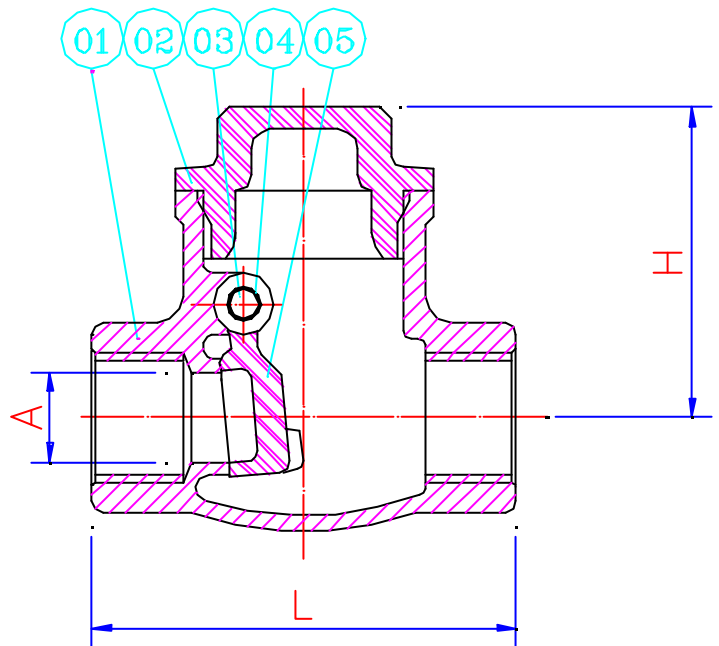


**Dimensions List :**

Size	A	H	L	Weight (KG)
3/8"	13	45	65	0.35
1/2"	15	45	65	0.33
3/4"	20	56	80	0.42
1"	25	62	90	0.7
1-1/4"	32	72	105	1
1-1/2"	40	73	120	1.5
2"	50	82	140	2.1
2-1/2"	65	93	180	4.2
3"	80	104	200	5.5

**Materials Specification :**

No	Parts Name	Specification
1	Body	ASTM A351 CF8M
2	Cover	ASTM A351 CF8M
3	Hanger Pin	SS316
4	Plug Gasket	PTFE
5	Disc	ASTM A351 CF8M



We hereby reserve the rights of any alternative dimension that would help to improve our valve's quality and working efficiency

DI