

FAX FORM

From

To

Name

Company

Address

Name

Company

Address

CLASS 300 CAST BRONZE, SWING CHECK VALVES

KITZ Fig:AK300YR

Sizes: 1/2-2inch(15-50mm)

Screw Cap, Y Pattern, And Screw Ends.

Desinged To Mss Sp-80 Type 3

W.O.G. Non-shock 4.14MPa(600psi)

Saturated Steam Pressure 2.07MPa(300psi)

This valve is not designed to handle toxic gases. Use specially designed or certified valves for flammable gas service.

Standards

- End to End: KITZ STANDARD
- End Connection: ASME B1.20.1
- Wall Thickness: KITZ STANDARD

Test Standard

- KITZ STANDARD

Conform to

MSS-SP80 1/2-2inch(15-50mm)

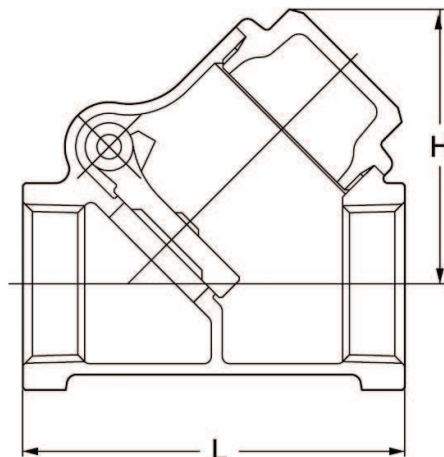


Dimensions

SIZE(inch/mm)	L	H			
1/2	15	60.0	42.0		
3/4	20	72.0	51.0		
1	25	84.0	61.0		
1 1/4	32	99.0	74.0		
1 1/2	40	113.0	83.0		
2	50	131.0	98.0		

Material List

NAME OF PART	MATERIAL	SPECIFICATION
BODY	CAST BRONZE	B61
DISC	CAST BRONZE	B61



For more details, please refer to the drawing.

Specifications

CLASS 300 CAST BRONZE, SWING CHECK VALVES, Screw Cap, Y Pattern, And Screw Ends.

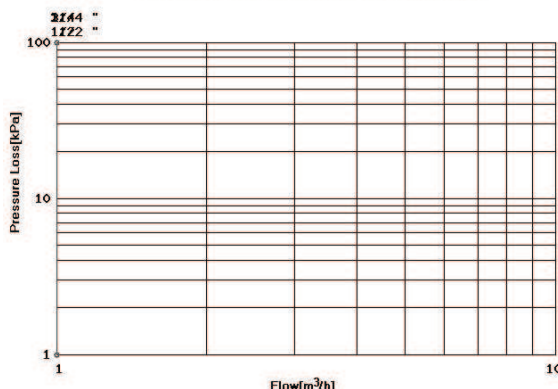
Desinged To Mss Sp-80 Type 3

W.O.G. Non-shock 4.14MPa(600psi)

Saturated Steam Pressure 2.07MPa(300psi)

End Connection: ASME B1.20.1, Sizes: 1/2-2inch(15-50mm), Conform to MSS-SP80 1/2-2 inch(15-50mm), BODY MATERIAL: CAST BRONZE, DISC MATERIAL: CAST BRONZE, KITZ Fig: AK300YR

Pressure Loss Table (Fluid : Water)



Pressure-temperature ratings and other performance data published in this catalog have been developed from our design calculation, in-house testing, field reports provided by our customers and/or published official standards or specifications. They are good only to cover typical applications as a general guideline to users of KITZ products introduced in this catalog. For any specific application, users are kindly requested to contact KITZ Corporation for technical advice, or to carry out their own study and evaluation for proving suitability of these products to such an application. Failure to follow this request could result in property damage and/or personal injury, for which we shall not be liable. Read instruction manual carefully before use.

