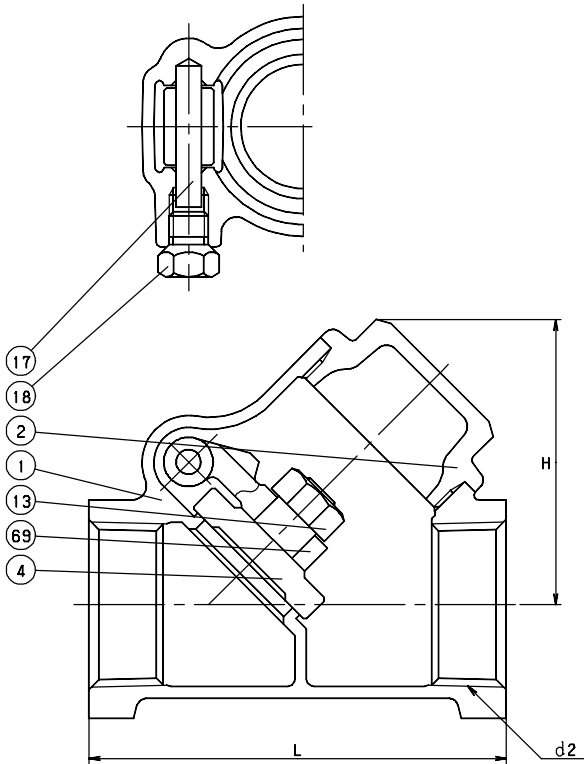


# KITZ CHECK

## CLASS 150 BRONZE

Y-Pattern Swing Check • Integral Seat  
Swing Type Disc

### CODE # 29 (AK150YR) THREADED

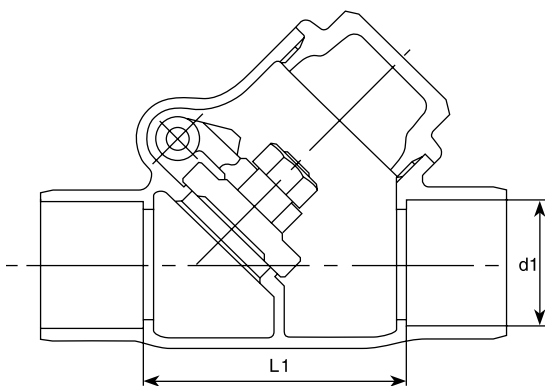


STANDARDS	
END TO END	KITZ
THREADED ENDS	ANSI B1.20.1
SOLDER JOINT ENDS	ANSI B16.18
DESIGN	MSS SP-80, TYPE 3
MILITARY	MSS SP-80, TYPE 3

PRESSURE/TEMPERATURE
150 PSI - SATURATED STEAM TO 366°F - FLUID TO 406°F
300 PSI NON-SHOCK COLD WATER, OIL OR GAS

MATERIAL LIST		
NO.	NAME OF PART	SPECIFICATION
1	BODY	CAST BRONZE (ASTM B62)
2	CAP	FORGED BRASS (B283, C37700)
4	DISC	CAST BRONZE (ASTM B62)
13	DISC NUT	BRASS ROD (B16)
17	HINGE PIN	COPPER
18	PLUG	BRASS ROD (B16)
69	ARM	CAST BRONZE (ASTM B62)

### CODE # 30 (C150YR) SOLDER\*



DIMENSIONS - WEIGHTS - QUANTITIES							
d2 SIZE	H	L	L1	d1		APPROX. NET WT.	CARTON QTY
				Max.	Min.		
3/8	1.54	2.13	1.64	.506	.502	42	96
1/2	1.54	2.36	1.64	.631	.627	43	80
3/4	1.93	2.83	1.89	.881	.877	48	48
1	2.28	3.31	2.31	1.132	1.128	45	36
1 1/4	2.76	3.90	2.82	1.382	1.378	48	24
1 1/2	3.11	4.45	3.21	1.633	1.628	45	16
2	3.74	5.16	4.01	2.133	2.128	41	8
2 1/2	4.49	6.38	4.70	2.633	2.628	50	4
3	5.20	7.32	5.42	3.133	3.128	48	3

\*SEE PRESSURE/TEMPERATURE LIMITATIONS  
FOR SOLDER JOINT VALVES - P. BIV-50.

# Fig. No. 236 RED WHITE Bronze Swing Check Valve – 125 lb



Check

## Features

- Y-Pattern
- Inserted Cap
- Integral Disc
- Screwed Ends
- Conforms to Specifications of MSS-SP-80



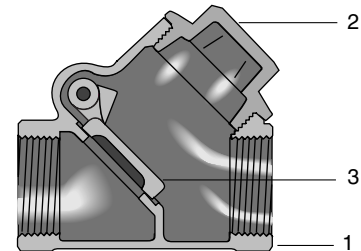
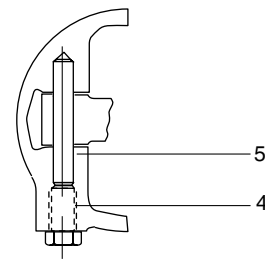
## Working Pressures

Working Pressure Non-Shock (psi)		Test Pressure (psi)	
Saturated Steam	Cold Water, Oil, Gas	Shell (Water)	Seat (Air)
125	200	300	50

## Materials & Specifications

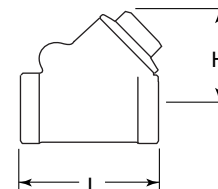
Item	Description	Material	Specification
1	Body	Cast bronze	ASTM B62-C83600
2	Cap	Cast bronze	ASTM B62-C83600
3	Disc	Cast bronze	ASTM B62-C83600
4	Plug	Forged brass	ASTM B16-C36000
5	Hanger pin	Brass alloy	DR alloy*

\*Dezincification resistant



## Dimensions & Weights (inches-lbs.)

Size	1/4	3/8	1/2	3/4	1	1-1/4	1-1/2	2	2-1/2	3	4
L	1.93	1.93	2.20	2.76	3.15	3.78	4.33	5.04	6.14	7.24	-
H	1.50	1.50	1.65	1.97	2.28	2.72	3.19	3.86	4.69	5.47	-
Wt.	0.46	0.44	0.57	0.95	1.34	2.11	3.08	4.99	8.71	12.50	-



**RED-WHITE Imfluid**

VALVE CORP.

20600 Regency Lane, Lake Forest, CA 92630 Tel: (949) 859-1010 Fax: (949) 859-7200 E-mail: info@rwvusa.com www.redwhitevalveusa.com