

# Dial Indicating Pressure Gauges

## Standard



# 100 SERIES

- High quality dry gauges for reliable service on applications not corrosive to brass
- Vacuum and compound through 15,000 psi
- 1-1/2", 2", 2-1/2", 4" sizes – bottom, back, left and right side connections
- Dry, ABS case (steel, chrome or stainless steel optional)
- All brass or brass with Delrin® internals
- Panel mount clamp and front flange mounting
- Standard UV resistant dials are dual scale in psi and kPa (kilopascals); dual scale psi/bar and psi/kg/cm<sup>2</sup> are available in most popular ranges
- Stock availability

### OPERATING SPECIFICATIONS

#### 1. Working Pressure Limitations

- Dynamic Pressure**  
The working pressure should be limited to 60% of the dial range.
- Static Pressure**  
The working pressure, where no sharp fluctuations occur, should be limited to 90% of the dial range

#### 2. Ambient Temperature

0 °F to 140 °F (-18 °C to 60 °C)

#### 3. Media Temperature

-4 °F to 140 °F (-20 °C to 60 °C)

### APPLICATIONS

- Hydraulics
- Pneumatics
- Petrochemical
- Medical
- Food
- Pharmaceutical
- Most industrial and commercial applications

### ACCURACY

- 1-1/2, 2 and 2-1/2" 100 Series gauges: ±2.5%
- 4" 100 Series gauges: ±1.5%

	MODELS	SPECIFICATIONS
<b>Case</b>	15-100, 15-110, 20-100, 20-110, 20-148, 25-100, 40-100	ABS (Acryl Nitril Butadien Styrol)
	15-120, 20-120, 25-120	Black painted steel with chrome triangular bezel and U-clamp
<b>Bezel</b>	15-110, 20-110, 25-110	Built-in bezel, molded as an integral part of the case for ease of panel mounting.
	15-120, 20-120, 25-120	Chrome-plated steel triangular bezel
<b>Lens</b>	15-100, 15-110, 15-120, 20-100, 20-110, 20-120, 20-148, 25-100, 25-110, 25-120, 40-100	Clear front acrylic
<b>Bourdon tube</b>	15-100, 15-110, 15-120, 20-100, 20-120, 20-110, 20-148, 25-100, 25-120, 25-110, 40-100	Phosphor bronze
<b>Connection</b>	15-100, 15-110, 15-120, 20-100, 20-110	1/8" NPT brass
	20-148	1/8" NPT/10-32 Female brass
	20-100, 20-110, 20-120, 25-100, 25-110, 25-120, 40-100	1/4" NPT brass SAE J1926-3:7/16-20
<b>Movement</b>	15-100, 15-110, 15-120, 20-100, 20-110, 20-120, 20-148, 25-100, 25-110, 25-120, 40-100	Brass & nylon, or all-brass with highly polished bearing surfaces
<b>Accuracy</b>	15-100, 15-110, 15-120, 20-100, 20-110, 20-120, 20-148, 25-100, 25-110, 25-120	± 2.5% full scale ASME B40.1 Grade B
	40-100	± 1.5% full scale ASME B40.1 Grade A
<b>Pointer</b>	15-100, 15-110, 15-120, 20-100, 20-120, 20-110, 20-148, 25-100, 25-110, 25-120, 40-100	Molded plastic
<b>Dial</b>	15-100, 15-110, 15-120, 20-100, 20-110, 20-120, 20-148, 25-100, 25-110, 25-120, 40-100	White background with black psi scale and red kPa scale; UV resistant

For details on accuracy/standard dial configuration and dial layouts, see pages 76-81.

ORDERING INFORMATION										
<b>SERIES</b>	100									
<b>SIZES</b>	15	1-1/2"	20	2"	25	2-1/2"	40	4"		
<b>CASE TYPES</b>	100	ABS, bottom connection		120	Steel case panel mount		110	ABS, back connection		
<b>PRESSURE RANGES</b>	30vac	-30 inHg vacuum to 0 psi		30/300	-30 inHg to 0 to 300 psi		200	0 psi to 200 psi		
	30/15	-30 inHg to 0 to 15 psi		15	0 psi to 15 psi		300	0 psi to 300 psi		
	30/30	-30 inHg to 0 to 30 psi		30	0 psi to 30 psi		400	0 psi to 400 psi		
	30/60	-30 inHg to 0 to 60 psi		60	0 psi to 60 psi		600	0 psi to 600 psi		
	30/100	-30 inHg to 0 to 100 psi		100	0 psi to 100 psi		1000	0 psi to 1,000 psi		
	30/160	-30 inHg to 0 to 160 psi		160	0 psi to 160 psi		1500	0 psi to 1,500 psi		
	30/200	-30 inHg to 0 to 200 psi		Other ranges available on request				15000	0 psi to 15,000 psi	
<b>SCALE OPTIONS***</b>	psi	psi single scale		psi/kPa	psi/kPa dual scale		psi/kg/cm <sup>2</sup>	psi/kg/cm <sup>2</sup> dual scale		
<b>CONNECTION SIZES</b>	1/8	1/8" NPT		7/16	SAE J1926-3/7/16-20 Adjustable		1/4	1/4" NPT		
<b>OPTIONS</b>	PMC	Panel Mount Clamp		SSC	Stainless Steel Case		LL	Polycarbonate Lens		
	SSB	Polished Stainless Steel Bezel		CRC	Chrome Case		GL	Glass Lens*		
	BLRF	Black Rear Flange		FAC	Flat Sided ABS Case		SGL	Safety Glass Lens*		
	BLFF	Black Front Flange – ABS Case		BCR	Black Cover Ring**		HL	Homalite Lens*		
	CFF	Chrome Front Flange – ABS Case		SSCR	Stainless Steel Cover Ring**		SP	Red Set Pointer**		
	SBFF	Black Front Flange – Steel Case		CCR	Chrome Cover Ring**		MIP	Maximum Indicating Pointer		
	SCFF	Chrome Front Flange – Steel Case		PCCR	Polished Chrome Cover Ring**		SDM	Silicone Dampened Movement		
	BSC	Black Steel Case		CAR	Chrome Adapter Ring*		LM	Laser Marking		

Please consult your local NOSHOK Distributor or NOSHOK, Inc. for availability and delivery information.

NOTE: Refer to 100 Series options & accessories chart on page 66 for availability by model number.

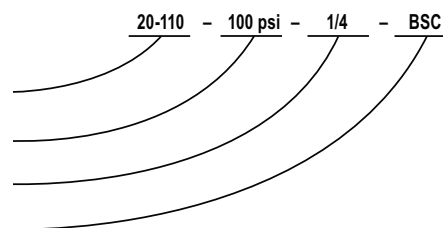
\* A steel, stainless or chrome case & cover ring must be additionally ordered when lenses other than acrylic are utilized on all 100 Series models.

\*\* Only 110 models require a steel, stainless or chrome case & cover ring to be additionally ordered when utilizing a set pointer or cover ring. Please consult factory when a set pointer is to be utilized on a 120 model.

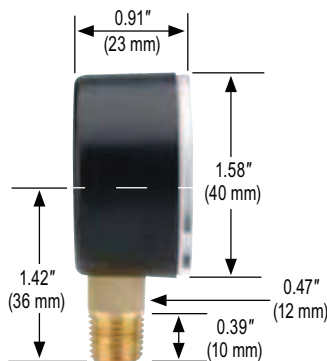
\*\*\* Other ranges available on request

### EXAMPLE

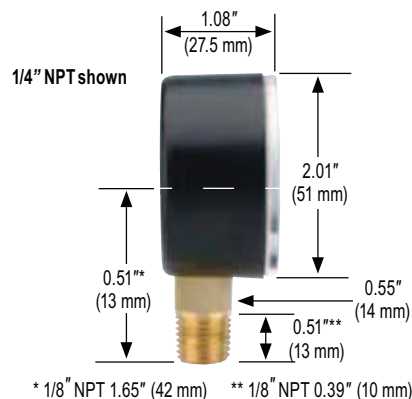
1. Select model number (size & case type)
2. Select pressure range & scale option
3. Select NPT connection size (if more than one is offered)
4. Select any required accessory or option



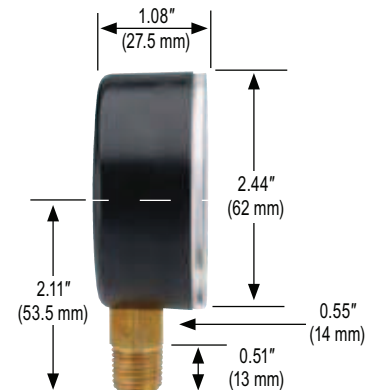
### 15-100



### 20-100

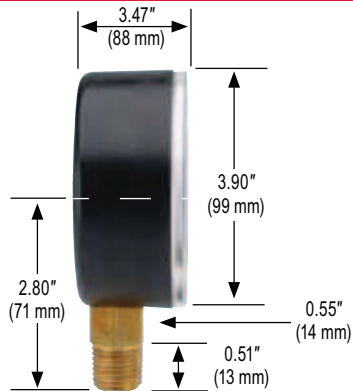


### 25-100

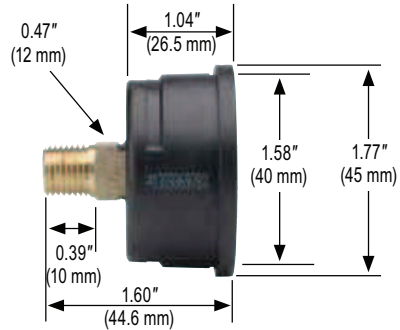


# Dimensions

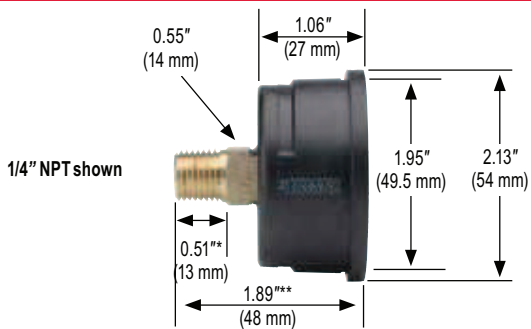
40-100



15-110

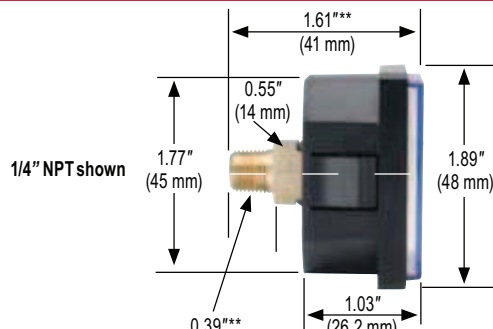


20-110



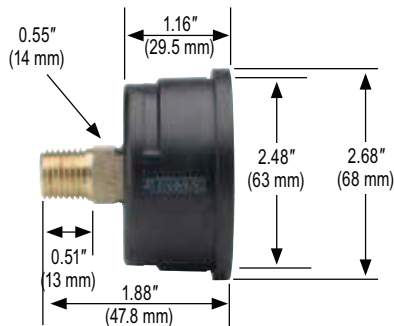
\*1/8" NPT 0.39" (10 mm) \*\* 1/8" NPT 1.77" (45 mm)

20-148

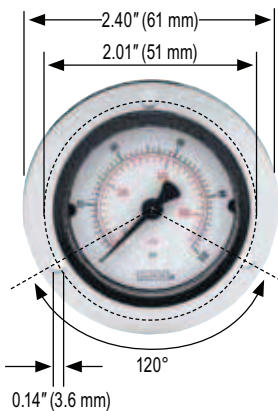


\*1/8" NPT 0.51" (13 mm) \*\*1/8" NPT 1.81" (46 mm)

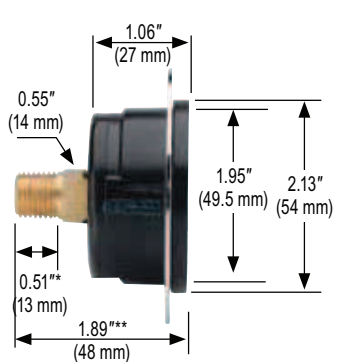
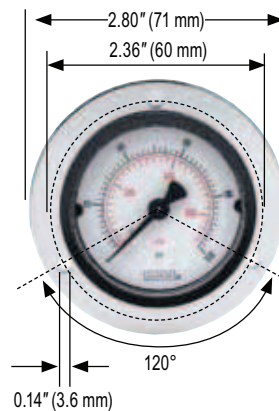
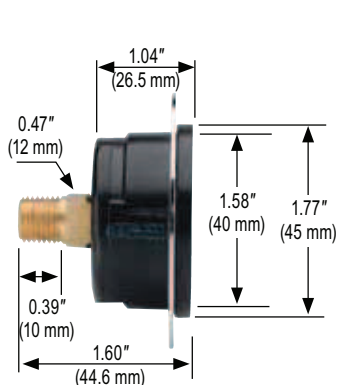
25-110



15-110 Front Flange

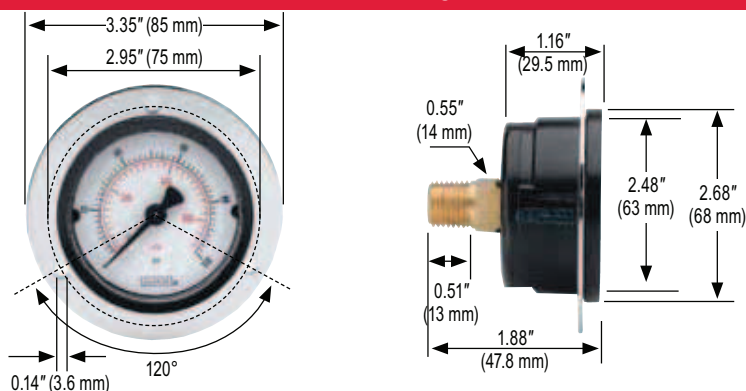


20-110 Front Flange

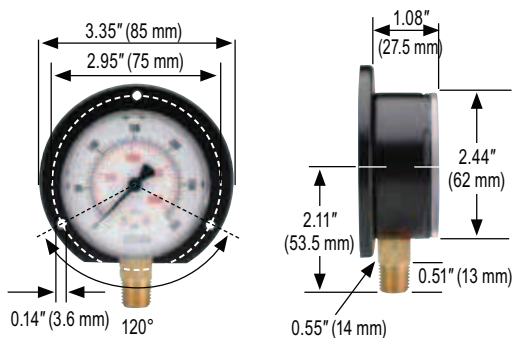


\*1/8" NPT 0.39" (10 mm) \*\* 1/8" NPT 1.77" (45 mm)

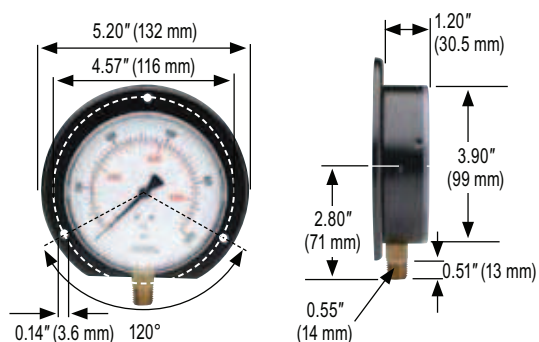
## 25-110 Front Flange



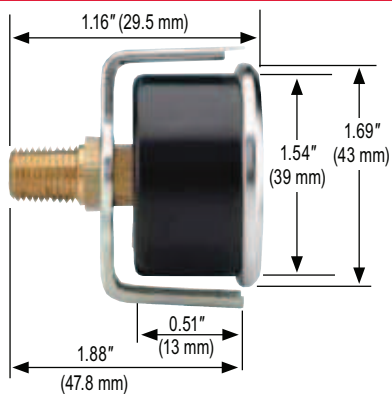
## 25-100 Rear Flange



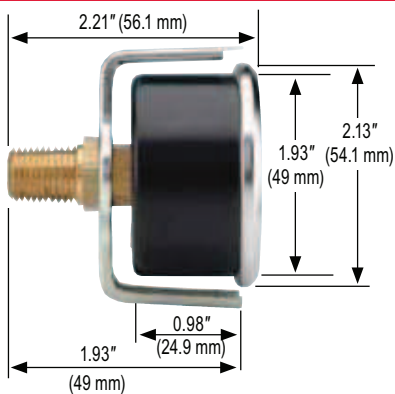
## 40--100 Rear Flange



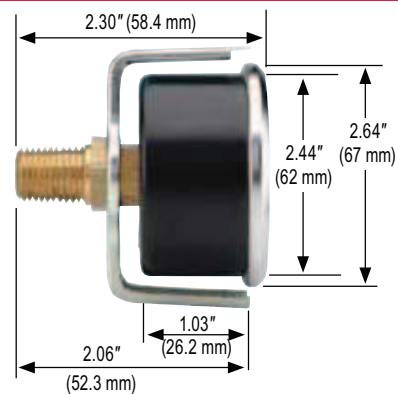
## 15-120 Chrome Triangular Bezel w/U-Clamp



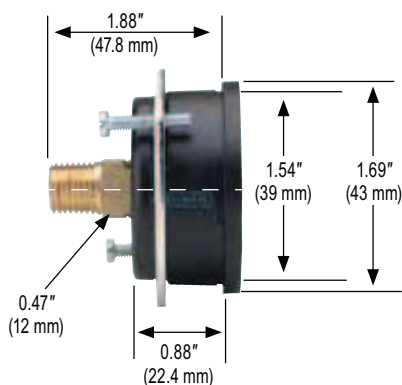
## 20-120 Chrome Triangular Bezel w/U-Clamp



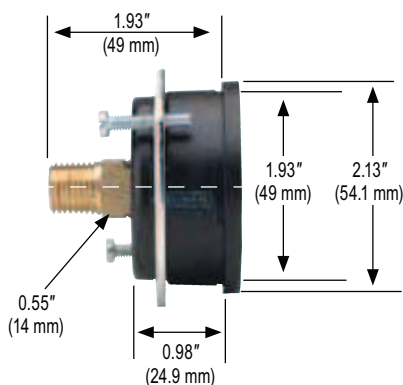
## 25-120 Chrome Triangular Bezel w/U-Clamp



## 15-110 Panel Mount Clamp



## 20-110 Panel Mount Clamp



## 25-110 Panel Mount Clamp

