

Dial Indicating Pressure Gauges

ABS & Stainless Steel Liquid Filled



900 SERIES

- Extremely high quality pressure gauges, liquid filled for extended service life and shock resistance
- Ranges available from vacuum to 15,000 psi
- 1-1/2", 2", 2-1/2", 4" sizes – bottom or back connected
- Lightweight shatter-resistant ABS case with acrylic lens for extra strength, or 304 stainless steel case with polycarbonate lens
- Unique o-ring case and connection seals guard against leakage and protect against shock and vibration
- Relief disc on top or back provides positive case relief
- Brass and copper alloy movement
- High grade glycerine fill dampens the effects of pulsation, vibration and shock loads, and provides lubrication of the movement
- Volume oriented
- Stock availability

OPERATING SPECIFICATIONS

1. Working Pressure Limitations

a. Dynamic Pressure

The working pressure should be limited to 60% of the dial range

b. Static Pressure

The working pressure, when no sharp fluctuations occur, should be limited to 90% of the dial range.

2. Ambient Temperature

-4 °F to 140 °F (-20 °C to 60 °C) Glycerine fill
-40 °F to 140 °F (-40 °C to 60 °C) Special fill

3. Media Temperature

-4 °F to 140 °F (-20 °C to 60 °C) Glycerine fill
-40 °F to 140 °F (-40 °C to 60 °C) Special fill

APPLICATIONS

- Industrial applications where pulsation, vibration and shock are present

ACCURACY

- 1-1/2", 2" and 2-1/2" 900 Series gauges: ±2.5%
- 2-1/2" 900 Series gauges: ±1.5%
- 4" 900 Series gauges: ±1.0%

For details on accuracy/standard dial configuration and dial layouts, see pages 76-81.

	MODELS	SPECIFICATIONS
Case	15-910, 25-900, 25-910	ABS (Acryl Nitril Butadien Styrol)
	25-901, 25-911, 40-901, 40-911	304 Stainless steel
Bezel	25-901, 25-911, 40-901, 40-911	304 Stainless steel
Lens	15-910, 25-900, 25-910	Acrylic; ultrasonically welded to the case
	25-901, 25-911	Polycarbonate
	40-901, 40-911	Instrument glass
Bourdon tube	15-910, 25-900, 25-910, 25-901, 25-911, 40-901, 40-911 (up to 600 psi)	Phosphor bronze C-Type Bourdon tube
	15-910, 25-900, 25-910, 25-901, 25-911, 40-901, 40-911 (> 600 psi)	Coiled safety tube
Connection	15-910	1/8" NPT brass
	25-900, 25-910, 25-901, 25-911	1/4" NPT brass or 7/16"-20 adjustable
	40-901, 40-911	1/4" NPT brass, 1/2" NPT brass or 7/16"-20 adjustable
Movement	15-910, 25-900, 25-910, 25-901, 25-911,	Brass and nylon with highly polished bearing surfaces
Safety protection	15-910, 25-900, 25-910	Safety relief disc on the back of the case
	25-901, 25-911, 40-901, 40-911	Safety relief disc on the top of the case
Accuracy	15-910, 20-901, 20-911	± 2.5% full scale ASME B40.1 Grade B
	25-900, 25-910, 25-901, 25-911	± 1.5% full scale ASME B40.1 Grade A
	40-901, 40-911	± 1% full scale ASME B40.1 Grade 1A
Pointer	15-910, 25-900, 25-910, 25-901, 25-911	Molded plastic
	40-901, 40-911	Balanced aluminum, black finish
Dial	15-910, 25-900, 25-910, 25-901, 25-911	Molded plastic, white background with black psi scale and red kPa scale. UV resistant
	40-901, 40-911	Aluminum, white background, dual scale psi – kPa. black psi scale and Red kPa scale. UV resistant
Fill liquid	15-910, 25-900, 25-910, 25-901, 25-911, 40-901, 40-911	Glycerine and water

ORDERING INFORMATION							
SERIES	900						
SIZES	15 1-1/2"	20 2"	25 2-1/2"	40 4"			
CASE TYPES	900 ABS Case, liquid filled, bottom connection			910 ABS Case, liquid filled, back connection			
	901 SS Case, liquid filled, bottom connection			911 SS Case, liquid filled, back connection			
PRESSURE RANGES	30vac -30 inHg to 0 psi	100 0 psi to 100 psi	5000 0 psi to 5,000 psi	10 0 bar to 10 bar			
	30/15 -30 inHg to 0 to 15 psi	160 0 psi to 160 psi	6000 0 psi to 6,000 psi	16 0 bar to 16 bar			
	30/30 -30 inHg to 0 to 30 psi	200 0 psi to 200 psi	7500 0 psi to 7,500 psi	25 0 bar to 25 bar			
	30/60 -30 inHg to 0 to 60 psi	300 0 psi to 300 psi	10000 0 psi to 10,000 psi	40 0 bar to 40 bar			
	30/100 -30 inHg to 0 to 100 psi	400 0 psi to 400 psi	15000 0 psi to 15,000 psi	60 0 bar to 60 bar			
	30/160 -30 inHg to 0 to 160 psi	600 0 psi to 600 psi	-1 -1 bar to 0 bar	100 0 bar to 100 bar			
	30/200 -30 inHg to 0 to 200 psi	800 0 psi to 800 psi	1 0 bar to 1 bar	160 0 bar to 160 bar			
	30/300 -30 inHg to 0 to 300 psi	1000 0 psi to 1,000 psi	1.6 0 bar to 1.6 bar	250 0 bar to 250 bar			
	15 0 psi to 15 psi	1500 0 psi to 1,500 psi	2.5 0 bar to 2.5 bar	400 0 bar to 400 bar			
	30 0 psi to 30 psi	2000 0 psi to 2,000 psi	4 0 bar to 4 bar	600 0 bar to 600 bar			
	60 0 psi to 60 psi	3000 0 psi to 3,000 psi	6 0 bar to 6 bar	1000 0 bar to 1,000 bar			
SCALE OPTIONS	psi psi single scale	psi/kg/cm² psi/kg/cm ² dual scale	bar/psi bar/psi dual scale	psi/kPa psi/kPa dual scale			
	psi/bar psi/bar dual scale						
CONNECTION SIZES	1/8 1/8" NPT	1/4 1/4" NPT	1/2 1/2" NPT	7/16 SAE J1926-3.7/16-20 Adjustable			
OPTIONS	PMC Steel Panel Mount Clamp	AP Adjustable Pointer	SFF 304SS Front Flange	BP3 Brass Press Fit Orifice 0.3 mm			
	SPMC 304SS Panel Mount Clamp	MIP Maximum Indicating Pointer	SSRF 304SS Rear Flange	BT5 Brass Threaded Orifice 0.5 mm			
	SSBU Stainless Steel Bezel & U-clamp	SP Red Set Pointer	LM Laser Marking	BT8 Brass Threaded Orifice 0.8 mm			
	SSB Stainless Steel Bezel	SGL Safety Glass Lens	ST Stainless Steel Tagging	7/16"-20 Straight Thread Available*			
	SSCR 304SS Cover Ring	BLFF Black Front Flange					

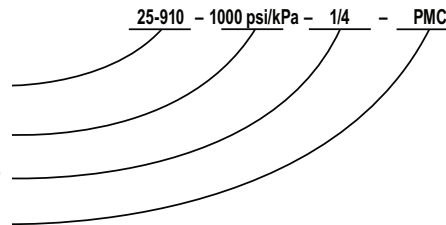
Please consult your local NOSHOK Distributor or NOSHOK, Inc. for availability and delivery information.

NOTE: Refer to 900 Series Options & Accessories chart on page 69 for availability by model number.

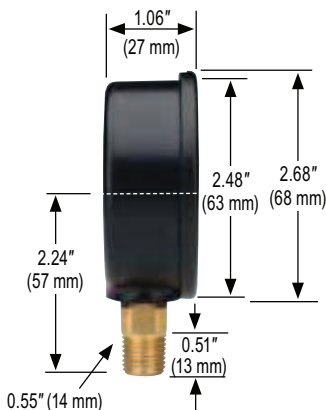
* Includes FKM o-ring

EXAMPLE

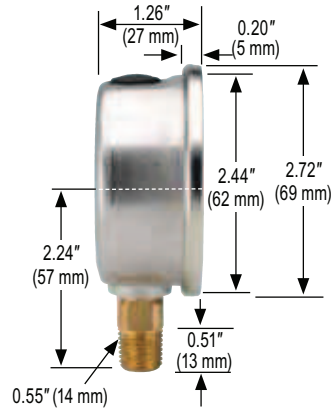
1. Select model number (size & case type)
2. Select pressure range & scale option
3. Select connection size (if more than one is offered)
4. Select any required accessory or option



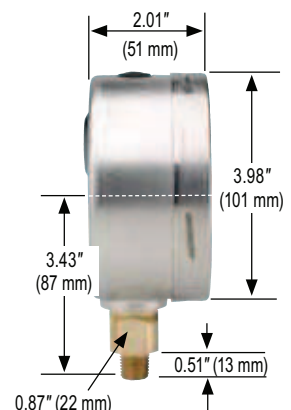
25-900



25-901



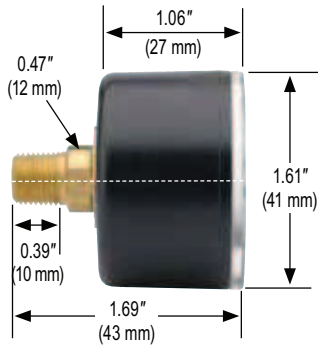
40-901



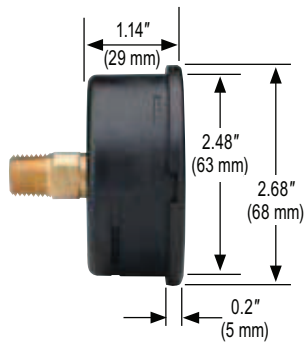
Dial Indicating Pressure Gauges

Dimensions

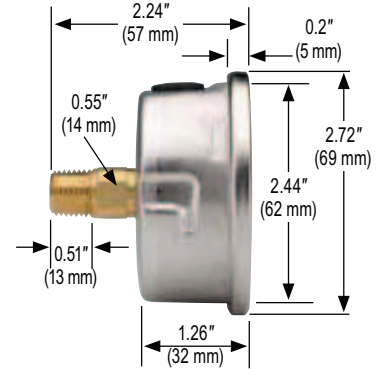
15-910



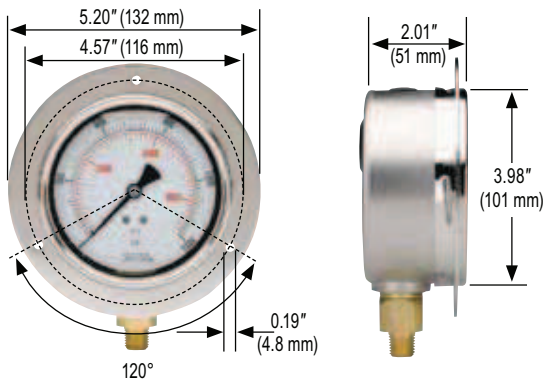
25-910



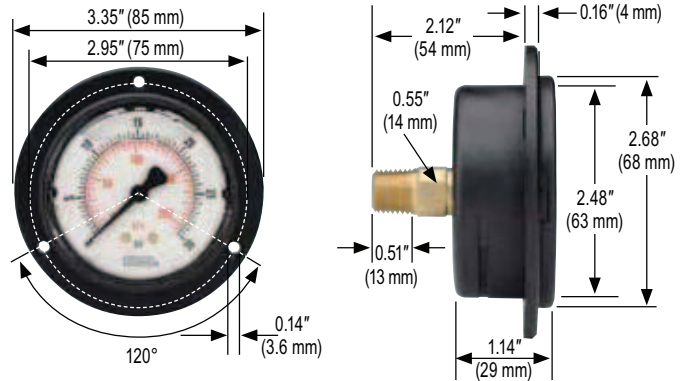
25-911



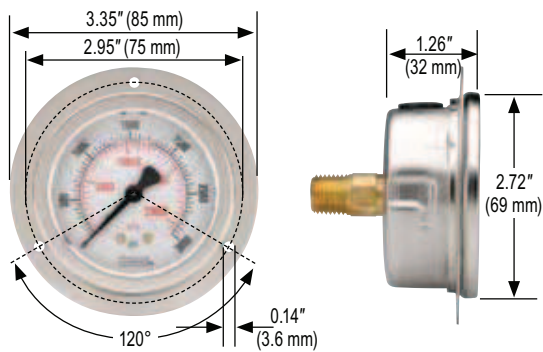
40-901 Front Flange



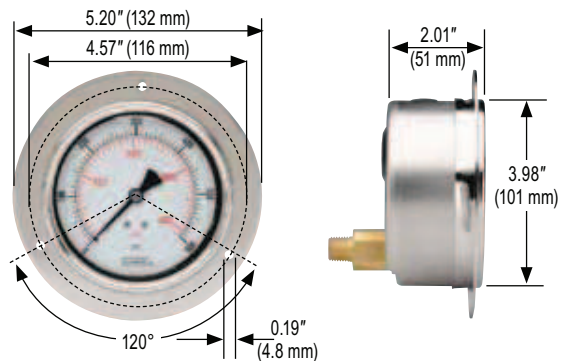
25-910 Front Flange



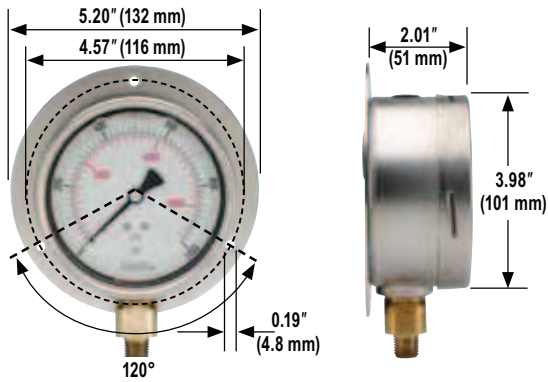
25-911 Front Flange



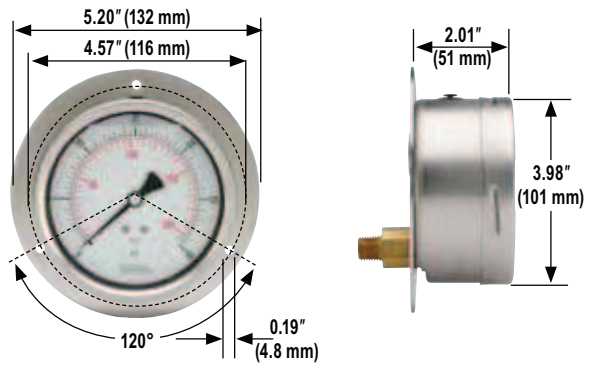
40-911 Front Flange



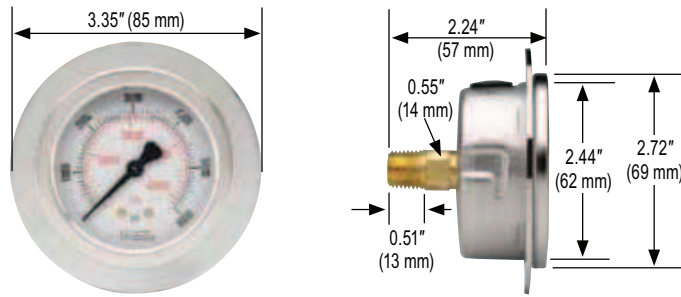
40-901 Rear Flange



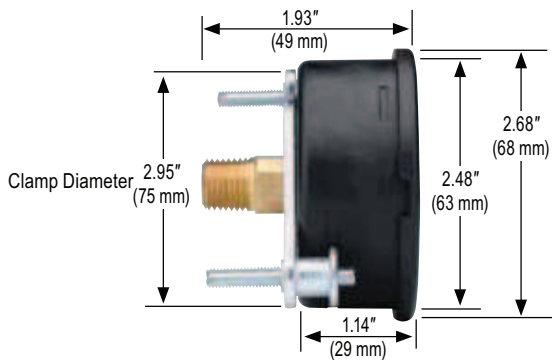
40-911 Rear Flange



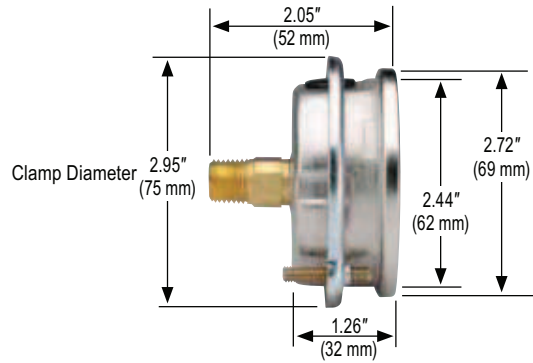
25-911 Flange Ring



25-910 Panel Mount Clamp



25-911 Panel Mount Clamp



40-911

