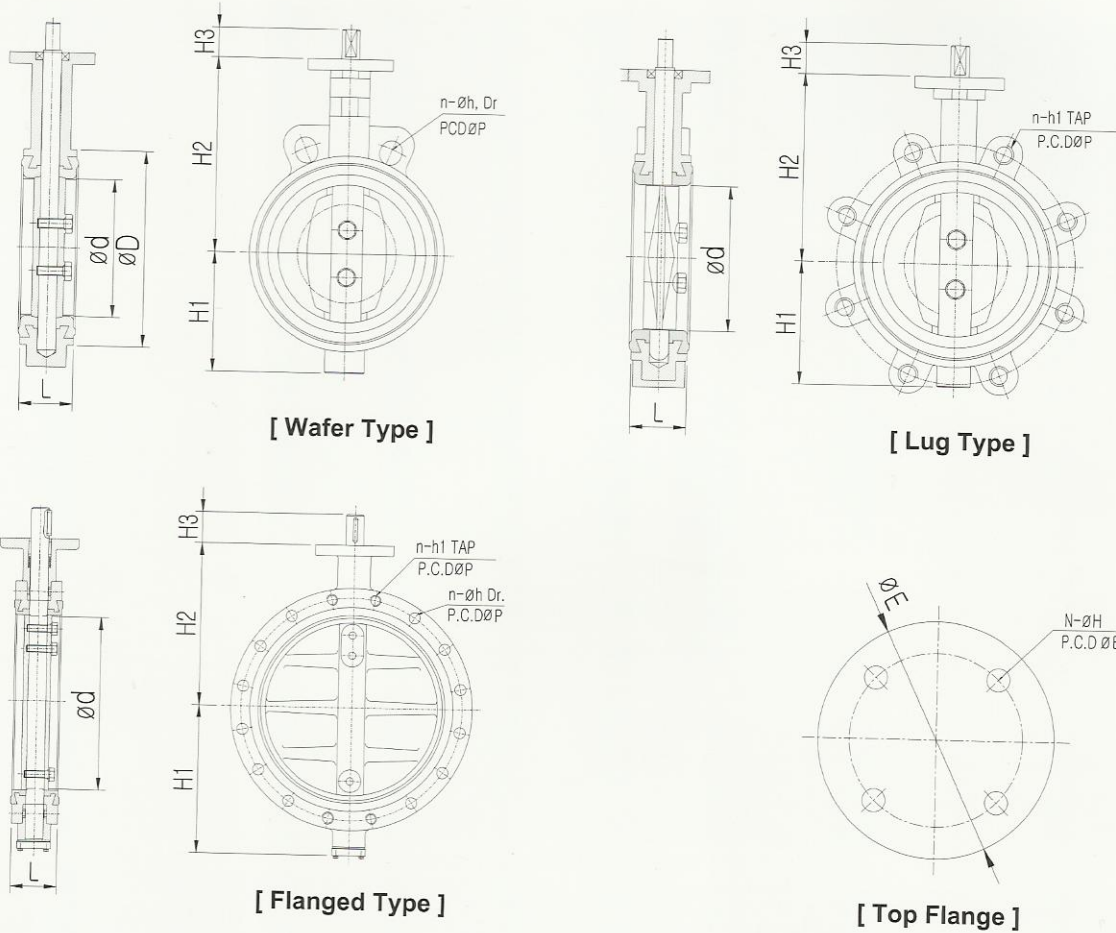


## Standard Materials

Part	Material	Material Mark	
		ASTM	JIS
BODY	Cast iron	A126 CL.B	FC
	Ductile cast iron	A536 Gr.65-45-12	FCD 450
	Bronze cast	B584	BC6
	Aluminum bronze	B148	ALBC
	Cast carbon steel	A216 WCB	SCPH2
	Stainless steel	A351 CF8	SCS 13
		A351 CF8M	SCS 14
		A351 CF3M	SCS 16
	A351 CN3MN		
	A351 CD4MCu		
DISC	Aluminum bronze	B148	ALBC
	Ductile cast iron	A536 Gr.65-45-12	FCD 450
	Stainless steel	A351 CF8	SCS 13
		A351 CF8M	SCS 14
		A351 CF3M	SCS 16
		A351 CN3MN	
		A351 Gr.CF3MN	
	A890 Gr. 1A(CD4MCu)		
SHAFT	Inconel 625		
	Monel K500		
	Stainless steel	A276 304	SUS 304
		A276 316	SUS 316
		A479 410	
	A564 630		
SEAT	NBR		
	EPDM		
	PTFE		
	Reinforced PTFE		
	Inconel 625		
	Stellite 6		
	Stainless steel	A240 304	SUS 304
	A240 316	SUS 316	
	A240 317		
SHAFT SEAL	NBR		
	EPDM		
	PTFE		
	Graphite		



# Concentric (Rubber Lined)



## Dimensions

UNIT: mm

SIZE		L	ød	øD	H1	H2	H3	TOP FLANGE			JIS 10K			ANSI 150LB		
mm	inch							ISO 5211			n-øh	n1	øP	n-øh	h1	øP
								øE/øB	N-øH	TYPE						
50	2"	43	47	95	65	131.5	33	90/70	4-10	F7	4-19	M16	120	4-19	5/8"	120.6
65	2.5"	46	62	112	71.5	140	33	90/70	4-10	F7	4-19	M16	140	4-19	5/8"	139.7
80	3"	46	77	123	79.5	158.5	33	90/70	4-10	F7	8-19	M16	150	4-19	5/8"	152.4
100	4"	52	95	152	95	173	33	90/70	4-10	F7	8-19	M16	175	8-19	5/8"	190.5
125	5"	56	120	180	110.5	190	33	90/70	4-10	F7	8-23	M20	210	8-22	3/4"	215.9
150	6"	56	145	206	126	205	33	90/70	4-10	F7	8-23	M20	240	8-22	3/4"	241.3
200	8"	60	195	266	155	243.5	49	125/102	4-12	F10	12-23	M20	290	8-22	3/4"	298.4
250	10"	68	245	311	210	272	49	125/102	4-12	F10	12-25	M22	355	12-25	7/8"	361.9
300	12"	78	295	361	250	301.5	49	125/102	4-12	F10	16-25	M22	400	12-25	7/8"	431.8
350	14"	78	337	410	275	340	70	125/102	4-12	F10	16-25	M22	445	12-28	1"	476.2
400	16"	102	390	474	309.5	362	70	175/140	4-18	F14	16-27	M24	510	16-28	1"	539.7
450	18"	114	439	531.5	347.5	377.5	70	175/140	4-18	F14	20-27	M24	565	16-32	1 1/8"	577.8
500	20"	127	485.5	580.5	375	405	120	210/165	4-22	F16	20-27	M24	620	20-32	1 1/8"	635
550	22"	142	538	641	421	458	120	210/165	4-22	F16	20-33	M30	680	20-35	1 1/4"	692.1
600	24"	154	580	680	432.5	462.5	120	210/165	4-22	F16	24-33	M30	730	20-35	1 1/4"	794.5
650	26"	170	639	739	475	530	120	225/165	4-22	F16	24-33	M30	780	24-35	1 1/4"	806.5
700	28"	185	681	765	500	560	158	300/254	8-18	F25	24-33	M30	840	28-35	1 1/4"	863.5
750	30"	190	716	810	555	605	158	300/254	8-18	F25	24-33	M30	900	28-35	1 1/4"	914.5
800	32"	190	760	875	585	625	158	300/254	8-18	F25	28-33	M30	950	28-42	1 1/2"	978
850	34"	200	830	952	600	665	192	300/254	8-18	F25	28-33	M30	1000	32-42	1 1/2"	1029
900	36"	200	886	1004	631	698	192	300/254	8-18	F25	28-33	M30	1050	32-42	1 1/2"	1086
1000	40"	216	980	1085	709	765	226	300/254	8-18	F25	28-39	M36	1160	36-42	1 1/2"	1200
1100	44"	241	1088	1134	742	805	226	350/298	8-23	F30	28-39	M36	1270	40-42	1 1/2"	1314.5
1200	48"	254	1184	1198	784	845	243	350/298	8-23	F30	32-39	M36	1380	44-42	1 1/2"	1422.4

\*Dimension table could be flexible for product improvement reasons.