

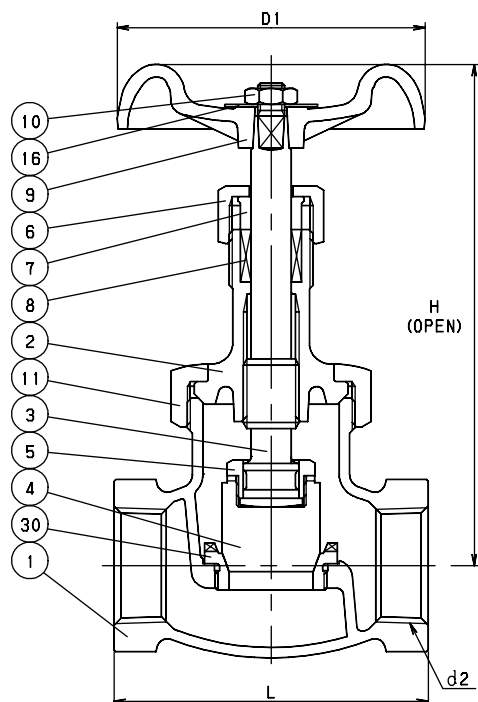
KITZ GLOBE

CLASS 300 BRONZE

Union Bonnet • Inside Screw • Rising Stem
Stainless Steel Disc & Seat

BRONZE GLOBE

**CODE # 17S (AK300JS)
THREADED**



STANDARDS	
END TO END	KITZ
THREADED ENDS	ANSI B1.20.1
DESIGN	MSS SP-80, TYPE 3
MILITARY	MSS SP-80, TYPE 3

PRESSURE/TEMPERATURE	
300 PSI - SATURATED STEAM TO 421°F	
- FLUID TO 550°F	
600 PSI NON-SHOCK COLD WATER, OIL OR GAS	

MATERIAL LIST		
NO.	NAME OF PART	SPECIFICATION
1	BODY	CAST BRONZE (ASTM B61)
2	BONNET	CAST BRONZE (ASTM B61)
3	STEM	CAST BRONZE (ASTM B62)
4	DISC	STAINLESS STEEL (A276, TYPE 403)
5	LOCK NUT	BRASS ROD (B16)
6	PACKING NUT	FORGED BRASS (B283, C37700)
7	GLAND	BRASS ROD (B16)
8	GLAND PACKING	FLEXIBLE GRAPHITE & ALUM.
9	HAND WHEEL	ALUMINUM DIE-CAST (B85)
10	WHEEL NUT	BRASS ROD (B16)
11	BONNET RING	CAST BRONZE (B61)
16	NAME PLATE	ALUMINUM
30	BODY SEAT RING	STAINLESS STEEL (A276, TYPE 403)

DIMENSIONS - WEIGHTS - QUANTITIES					
d2 SIZE	H	D1	L	APPROX. NET WT.	CARTON QTY
1/2	4.92	3.15	2.52	47	36
3/4	5.47	3.54	3.07	47	24
1	6.14	3.94	3.54	47	16
1 1/4	7.36	4.53	4.13	60	12
1 1/2	7.56	5.31	4.72	51	8
2	8.66	6.10	5.71	41	4