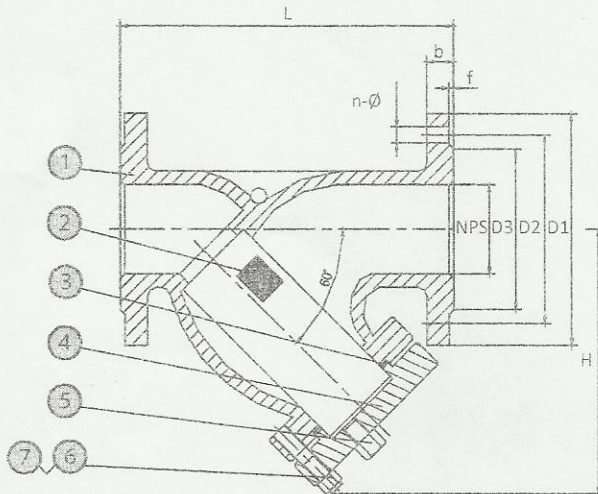


DIE ERSTE SY Series ANSI Class 150 Cast Steel Y Type Strainer

- **Valve Design**
Y Type Strainer
- **Size**
2" to 16" (DN 50 to DN 400)
- **Pressure Rating**
ANSI Class 150
- **Body Material**
ASTM A216 WCB
- **End Connection**
Flange End
- **Temperature Range**
-28°C to 426°C (-20°F to 800°F) with graphite
- **Standards and Specifications**
Design according to ASME B16.34
Flange dimension: ANSI B16.5
Face-to-face meets ANSI B16.10
Test standard according to API 598
DIN EN 10204 3.1 Certificate



Design Features

DIE ERSTE Y-strainers are used where particles must be removed from pipeline. The strainer screen is precision machined for industry standards.

Applications

DIE ERSTE Y-Type Strainers are used in industries such as chemical, steam, oil/gas, and other process systems. Y-strainers are generally installed before the process fluid enters the control unit, such as valves, meters, and pumps. It is universally designed and manufactured for general uses.

DIMENSION LIST (CLASS 150)

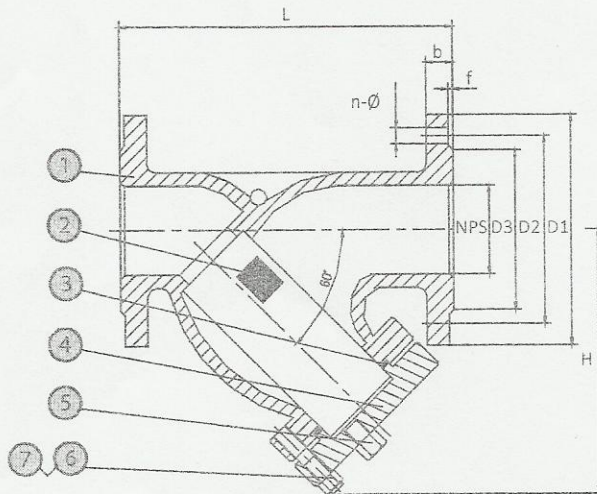
SIZE	NPS	D1	D2	D3	b	f	L	H	n-ø
2"	50	152	120.5	92	16	1.6	203	205	4-ø19
2½"	65	178	139.5	105	18	1.6	216	230	4-ø19
3"	80	190	152.5	127	19	1.6	241	255	4-ø19
4"	100	229	190.5	157	24	1.6	292	300	8-ø19
6"	150	279	241.5	216	26	1.6	406	390	8-ø22
8"	200	343	298.5	270	29	1.6	495	490	8-ø22
10"	250	406	362	324	31	1.6	622	550	12-ø25
12"	300	483	432	381	32	1.6	698	640	12-ø25
14"	350	533	476	413	35	1.6	787	720	12-ø29
16"	400	597	540	470	37	1.6	914	800	16-ø29

MATERIAL LIST

NO	PART NAME	MATERIAL
1	BODY	ASTM A216 WCB
2	SCREEN	SS 304
3	GASKET	GRAPHITE
4	BONNET	ASTM A216 WCB
5	DRAIN PLUG	ASTM A182 F6
6	BOLT	ASTM A193 B7
7	NUT	ASTM A194 2H

DIE ERSTE SY Series ANSI Class 300 Cast Steel Y Type Strainer

- **Valve Design**
Y Type Strainer
- **Size**
2" to 16" (DN 50 to DN 400)
- **Pressure Rating**
ANSI Class 300
- **Body Material**
ASTM A216 WCB
- **End Connection**
Flange End
- **Temperature Range**
-28°C to 426°C (-20°F to 800°F) with graphite
- **Standards and Specifications**
Design according to ASME B16.34
Flange dimension: ANSI B16.5
Face-to-face meets ANSI B16.10
Test standard according to API 598
DIN EN 10204 3.1 Certificate



Design Features

DIE ERSTE Y-type strainers feature precision machined, and tapered seat for perfect fit of strainer screen. It can be installed in horizontal or vertical pipelines with the marked flow direction.

Applications

Y-strainers are generally used in removing unnecessary particles from the pipeline from the strainer screen. It can be acted as protection on process equipments such as pump, meter, control valve, and steam trap. Y-strainers are often installed in chemical, petroleum, power generation and marine industries.

2

DIE ERSTE reserves the right to change product design and specifications without notice. Copyright © 2011 by DIE ERSTE INDUSTRY CO., LTD.

DIMENSION LIST (CLASS 300)

SIZE	NPS	D1	D2	D3	b	f	L	H	n-∅
2"	50	165	127	92	23	1.6	267	235	8-∅19
3"	80	210	168.5	127	29	1.6	318	285	8-∅22
4"	100	254	200	157	32	1.6	356	320	8-∅22
6"	150	318	270	216	37	1.6	445	420	12-∅22
8"	200	381	330	270	42	1.6	559	510	12-∅25
10"	250	445	387.5	324	48	1.6	622	600	16-∅29
12"	300	521	451	381	51	1.6	711	690	16-∅32
14"	350	584	514.5	413	54	1.6	838	770	20-∅32
16"	400	648	571.5	470	58	1.6	914	850	20-∅35

MATERIAL LIST

NO	PART NAME	MATERIAL
1	BODY	ASTM A216 WCB
2	SCREEN	SS 304
3	GASKET	GRAPHITE
4	BONNET	ASTM A216 WCB
5	DRAIN PLUG	ASTM A182 F6
6	BOLT	ASTM A193 B7
7	NUT	ASTM A194 2H