

High Quality
Best Service
Ball Valves
Art

DIXON Valves

IMFLUID Ltda.

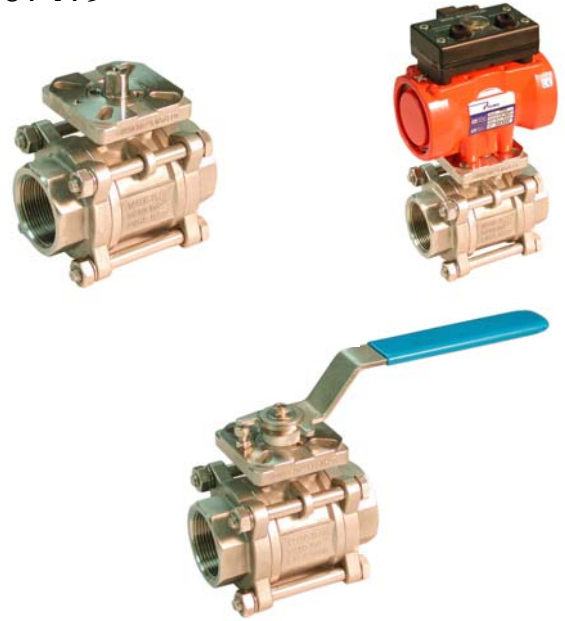
Compañía N° 1973, Santiago, Chile

Central (fax) : 56-02-6967479

MODEL: DX3 con Base Actuador

- * 3-PC Full Port 1000 WOG Ball Valve
- * Direct-Mounting Of Actuators To Valves
- * High Cycle Self-Adjusting Stem Seal Offers Significantly Extra Longer Cycle Life
- * Self-Adjusting Stem Packing Assembly With **Belleville Spring** For Temperature Fluctuations, Vibration And Is Secured
- * ISO 5211 Mounting Pad For Easy Automation
- * Square Stem can be with direct Mount without Bracket /Adaptor.
- * Bottom Entry Blow-Out Proof Stem Provides Maximum Safety

- * Connect: Threaded NPT
- * Except actuating service, handle lever is available for Manual Optional
- * DIN 50049 3.1B Certificate
- * SIZE: 1/4" ~ 3"



Dimensions List:

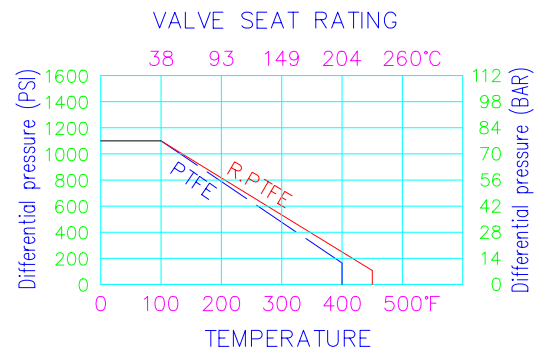
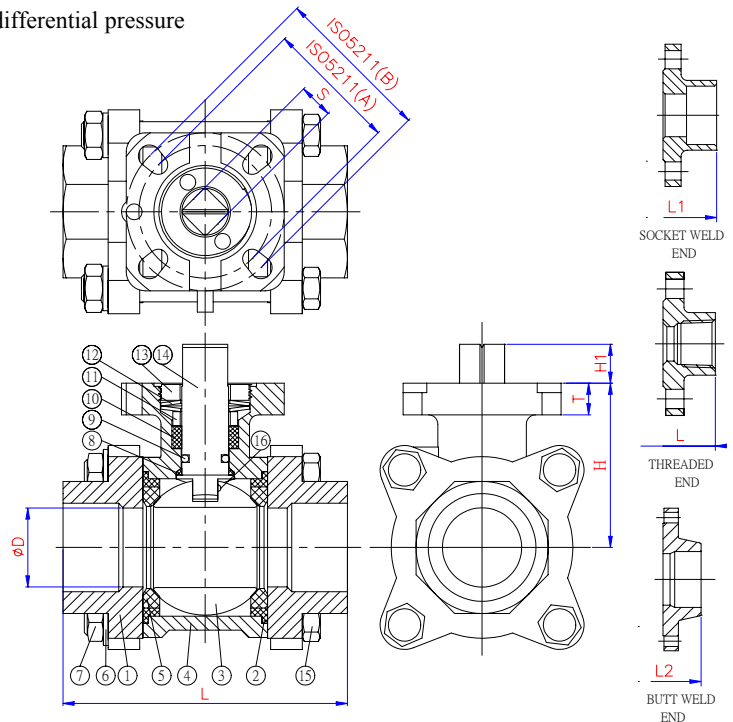
TQ: torque(lb-in / N-M) ΔP=75 PSI

SIZE	D	L	L1	L2	S	H1	T	H	TQ	ISO 5211
1/4	11.5	65	65	70	9	7.5	9	43	45 / 5	F03, F04
3/8	12.7	65	65	70	9	7.5	9	43	45 / 5	F03, F04
1/2	15	75	75	75	9	7.5	9	43	60 / 7	F03, F04
3/4	20	80	80	90	9	8	9	45	80 / 9	F03, F04
1	25	90	90	100	11	11	10	53	130 / 15	F04, F05
1-1/4	32	110	110	110	11	11	10	57	160 / 18	F04, F05
1-1/2	38	120	120	125	14	14	13	68	200 / 23	F05, F07
2	50	140	140	150	14	14	13	77	280 / 32	F05, F07
2-1/2	65	185	185	190	17	17	13	99	500 / 57	F07, F10
3	80	205	205	220	17	17	13	111	650 / 73	F07, F10
4	97	240	240	270	22	22	16	138	110 / 124	F10, F12

ΔP: differential pressure

Materials Specification:

NO	PART NAME	MATERIAL
1	END CAP	ASTM A351 CF8M
2	BODY SEAL	PTFE
3	SOLID BALL	ASTM A351 CF8M
4	BODY	ASTM A351 CF8M
5	BALL SEAT	PTFE
6	SPRING WASHER	SS304
7	NUT	SS304
8	STEM SEAL	PTFE
9	O-RING	VITON
10	STEM PACKING	PTFE
11	FOLLOWER	SS304
12	BELLEVILLE SPRING	SUS301
13	STEM NUT	SS304
14	STEM	SS316
15	BODY BOLT	SS304
16	ANTI-STATIC DEVICE	SS316



We hereby reserve the rights of any alternative dimension that would help to improve our valve's quality and working efficiency