



DIXON Valves

IMFLUID Ltda.

Compañía N° 1973, Santiago, Chile
 Central (fax) : 56-02-6967479



MODEL NO : DX2ACT

- * 2-PC SS316 DIRECT-MOUNT BALL VALVE, FULL PORT
- * FACE TO FACE COMPLIES WITH DIN3202-M3
- * DOUBLE ISO 5211 MOUNTING PAD FOR DOUBLE & SPRING RETURN ACTUATOR
- * DIRECT-MOUNTING OF ACTUATOR TO VALVES, LOW COST AND EASY AUTOMATION
- * SELF-ADJUSTING STEM PACKING ASSEMBLY WITH BELLEVILLE SPRING FOR TEMPERATURE FLUCTUATIONS, VIBRATION, AND IS SECURED
- * STEM SEAL IS WITH 45 ANGLE AGAINST BODY, WHICH INCREASES TIGHTING EFFECT.
- * DIN 50049 3.1B CERTIFICATE
- * BLOW-OUT PROOF STEM DESIGN
- * WORKING PRESSURE : 1000 PSI WOG
- * END CONNECTION : NPT



Dimension List :

TQ: torque(lb-in / N-M) ΔP=75 PSI

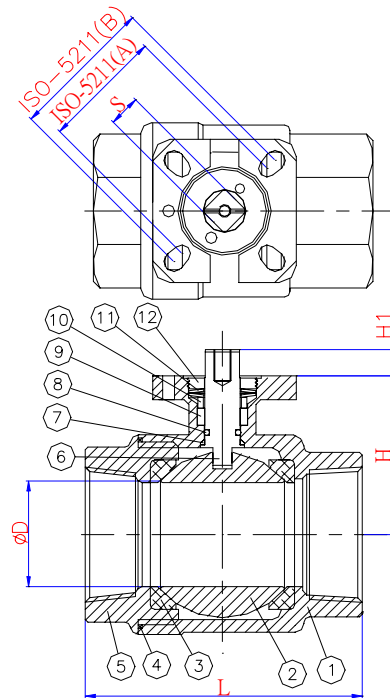
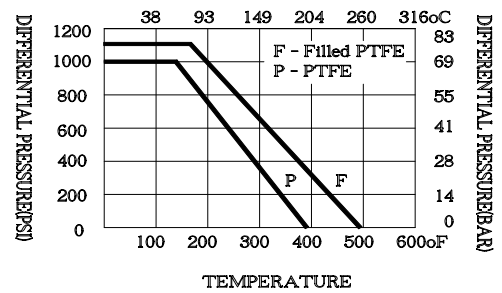
Size	D	L	H1	H	S	Weight (kg)	TQ	ISO 5211
1/4"	11.5	65	7.5	43	9	0.4	45 / 5	F03/F04
3/8"	12.7	65	7.5	43	9	0.4	45 / 5	F03/F04
1/2"	15	75	7.5	43	9	0.48	60 / 7	F03/F04
3/4"	20	80	8	45	9	0.56	80 / 9	F03/F04
1"	25	90	11	53	11	0.75	130 / 15	F04/F05
1-1/4"	32	110	11	57	11	1.48	160 / 18	F04/F05
1-1/2"	40	120	14	68	14	2.32	200 / 23	F05/F07
2"	50	140	14	77	14	3.8	280 / 32	F05/F07
2-1/2"	65	185	17	99	17	8	500 / 57	F07/F10
3"	80	205	17	111	17	11.5	650 / 73	F07/F10

Δ P: differential pressure

Materials Specification :

NO	PART NAME	MATERIAL
1	BODY	ASTM A351 CF8M
2	SOLID BALL	ASTM A351 CF8M
3	BALL SEAT	R.PTFE
4	BODY SEAL	PTFE
5	END CAP	ASTM A351 CF8M
6	STEM	SS316
7	THRUST WASHER	PTFE
8	O-RING	VITON
9	STEM PACKING	PTFE
10	FOLLOWER	SS304
11	BELLEVILLE SPRING	SUS301
12	NUT	SS304

VALVE SEAT RATINGS



We hereby reserve the rights of any alternative dimension that would help to improve our valve's quality and working efficiency