

Quality
Best Service
Ball Valves
Art

DIXON Valves

IMFLUID Ltda.

Compañía N° 1973, Santiago, Chile
Central (fax) : 56-02-6967479

MODEL NO: ED-111R

1-PC Stainless STEEL BALL VALVE

INVESTMENT CAST BODY

BLOW-OUT PROOF STEM/ REDUCED PORT

MATERIAL: ASTM A351 CF8M/CF8, ASTM A216 WCB

1000PSI(69 BAR) WOG, Threaded Ends

OPTION: LOCKING HANDLE

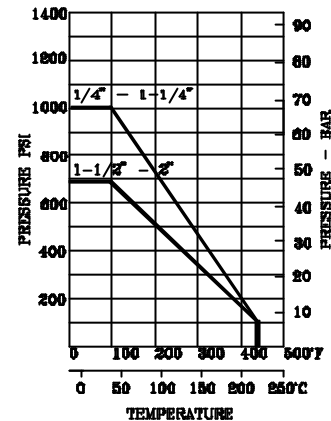
MAX TEMPERATURE: 180° C



DIMENSIONS LIST:

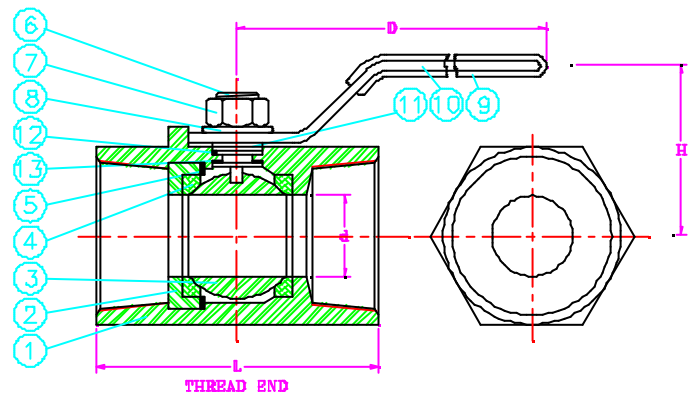
Size	d	L	D	H	W(kg)
1/4"	5	39	70	26.5	0.07
3/8"	7	44	80	29	0.12
1/2"	9.2	56.5	92	41	0.2
3/4"	12.5	59.7	92	45	0.29
1"	16	71	110	55	0.43
1-1/4"	20	78	104	52.7	0.71
1-1/2"	24.5	83	138	71	0.84
2"	32	100	138	77.4	1.35

PRESSURE-TEMPERATURE RATING



MATERIALS LIST :

1	BODY	ASTM A351 CF8M
2	INSERT	ASTM A276 TYPE 316
3	SOLID BALL	ASTM A351 CF8M
4	BALL SEAT	PTFE
5	BODY SEAL	PTFE
6	STEM	ASTM A276 TYPE 316
7	HANDLE NUT	SS304
8	WASHER	SS304
9	GRIP	VINYL
10	HANDLE	SS304
11	STEM WASHER	SS304
12	STEM PACKING	PTFE
13	THRUST WASHER	PTFE



We hereby reserve the rights of any alternative dimension that would help to improve our valve's quality and working efficiency