

DIXON Three-Piece High Performance Fire-Safe Ball valve

Model: FSB-370F

Rating: 2000 CWP

Design feature:

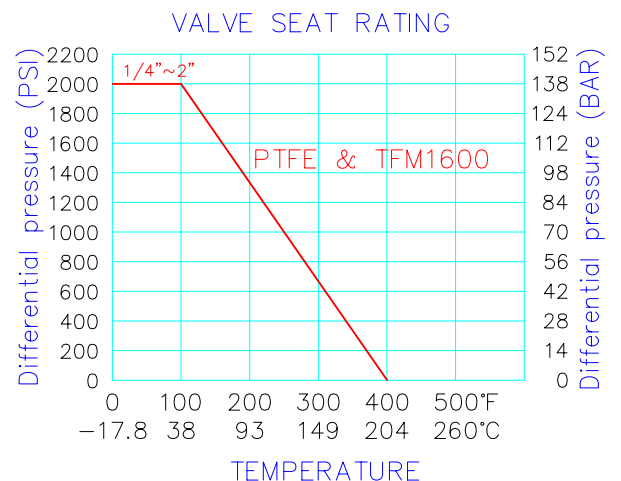
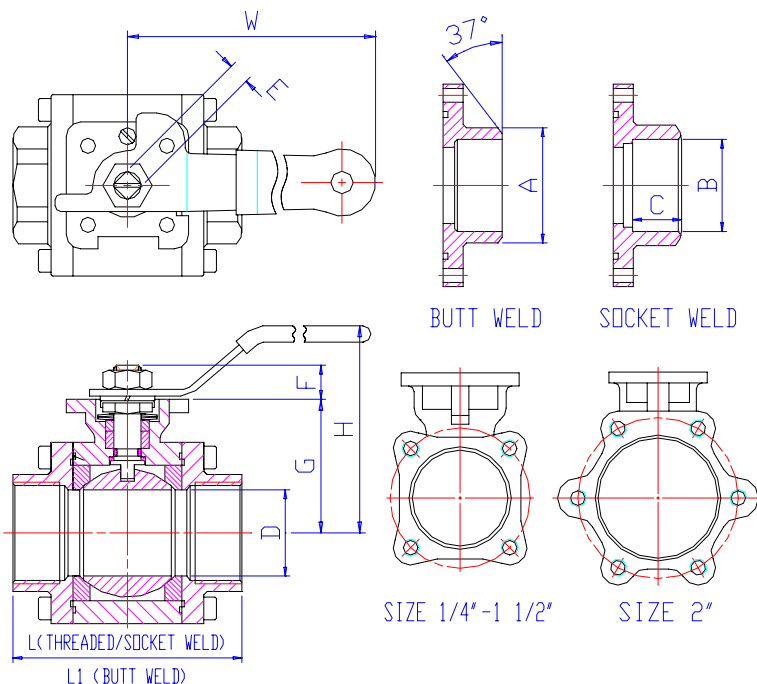
- Applications for Hydraulic, Chemical, Steam, Oil/ Gas, Oxygen, Vacuum.
- Extremely Rugged 3-Piece Design Withstand Extremes In Piping Enclose Bolt Design, Stress And Thermal Shock.
- Direct-mounting of actuator to valves, low cost and easy automation.
- Integral twin pattern ISO 5211 mounting pad for double & spring return actuator.
- Self-adjusting stem packing assembly with Belleville spring for temperature fluctuations, vibration, and is secured.
- API 607 Fire-Safe approved.
- Thrust washer prevents galling, reduces torque and provides secondary stem seal.
- Long cycle life, Low uniform torques.
- Bottom Entry Blow-Out Proof Stem design Provides Maximum Safety.
- Wide range of seat & seal materials is available.
- Thread & Socket-Weld Overall Length to DIN 3202 M3
- Investment cast body construction.
- DIN 50049-3.1 Certificate Available

Specifications:

- Construction: 3-pc bolted body side-entry floating ball design.
- Flow bore: Full/ Standard port.
- Rating: 2000 PSI; 150 PSI Saturated Steam.
- Temperature: -20°F ~ 400°F (PTFE/ R.PTFE)
- Materials: ASTM CF8M,CF8, WCB
- Size range:
Full port: 1/4" ~ 2".
Standard port: 1/4" ~ 2-1/2"

Standard:

- Female pipe Threaded to NPT, DIN 259/2999, BS21..
- Inspection & testing according to API 598.
- API 607 4th Edition Fire-Safe Test approved.
- PED 97/23/EC; ISO 9001.

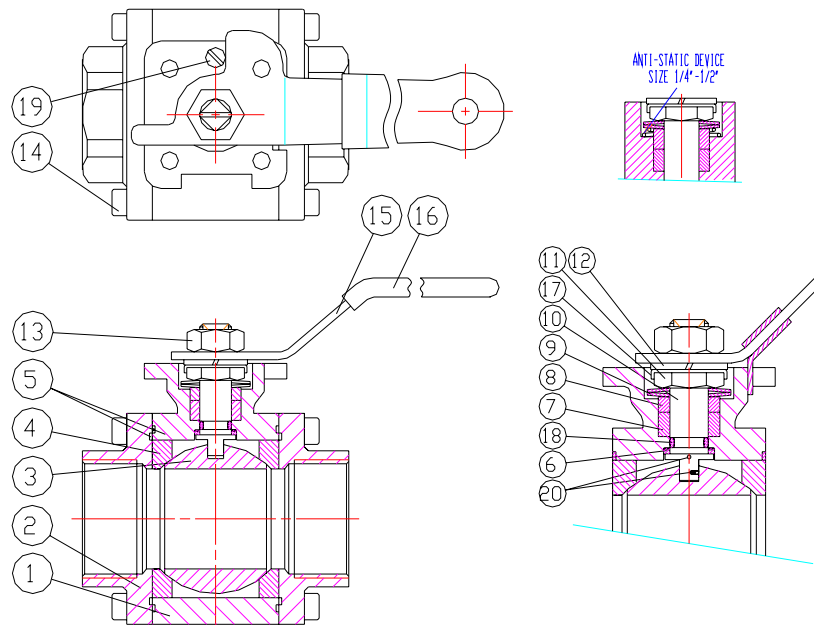


Dimensions List (Full Port)

Size	D	L	L1	W	H	E	F	G	A	B	C	ISO 5211	Weight (kg)
1/4"	11	65	70	140	70	9	8	37.5	13.8	14.2	10	F04	1.1
3/8"	11	65	70	140	70	9	8	37.5	17.3	17.6	10	F04	1.1
1/2"	14	75	75	140	70	9	8	37.5	21.7	21.8	13	F04	1.1
3/4"	20.5	80	90	180	90	11	11	52	27.2	27.2	15	F04, F05	1.6
1"	25	90	100	180	100	11	11	60	34	33.9	15	F04, F05	2.2
1-1/4"	31.5	110	110	215	112	14	17	72	42.7	42.7	15	F07	3.3
1-1/2"	37	120	125	215	115	14	17	76	48.6	48.8	16	F07	4.6
2"	50	140	150	215	133	14	17	93	60.5	61.2	17	F07	7.3

Dimensions List (Standard Port)

Size	D	L	L1	W	H	E	F	G	A	B	C	ISO 5211	Weight (kg)
1/4"	11	65	70	140	70	9	8	37.5	13.8	14.2	10	F04	1.1
3/8"	11	65	70	140	70	9	8	37.5	17.3	17.6	10	F04	1.1
1/2"	11	75	75	140	70	9	8	37.5	21.7	21.8	13	F04	1.1
3/4"	14	80	90	140	70	9	8	37.5	27.2	27.2	15	F04	1.1
1"	20.5	90	100	180	90	11	11	52	34	33.9	15	F04, F05	1.6
1-1/4"	25	110	110	180	100	11	11	60	42.7	42.7	15	F04, F05	2.2
1-1/2"	31.5	120	125	215	112	14	17	72	48.6	48.8	16	F07	3.3
2"	37	140	150	215	115	14	17	76	60.5	61.2	17	F07	4.6
2-1/2"	50	185	190	215	133	14	17	93	76.3	73.9	17	F07	7.3



MATERIALS LIST:

NO	PART NAME	MATERIAL	NO	PART NAME	MATERIAL
1	BODY	CF8M / WCB	10	STEM	SS316 / SS304
2	ENDCAP	CF8M / WCB	11	NUT	SS304
3	SOLID BALL	CF8M / CF8	12	SPRING WASHER	SS304
4	BALL SEAT	PTFE	13	NUT	SS304
5	BODY SEAL	GRAPHITE	14	BOLT	SS304
	BODY SEAL	PTFE	15	HANDLE	SS304 / ZINC PLATED STEEL
6	THRUST WASHER	GRAPHITE	16	HANDLE SLEEVE	VINYL
	THRUST WASHER	PTFE	17	SADDLE WASHER	SS304
7	STEM PACKING	GRAPHITE	18	O-RING	VITON
8	GLAND	SS304	19	STOP PING	SS304
9	BELLEVILLE SPRING	SS301	20	ANYI-STATIC DEVICE	SS304