

# Fig. No. 208 RED WHITE Bronze Gate Valve – 125 lb.



Gate

## Features

- Rising Stem
- Inserted Bonnet
- Solid Wedge Disc
- Screwed Ends
- Conforms to Specifications of MSS-SP-80



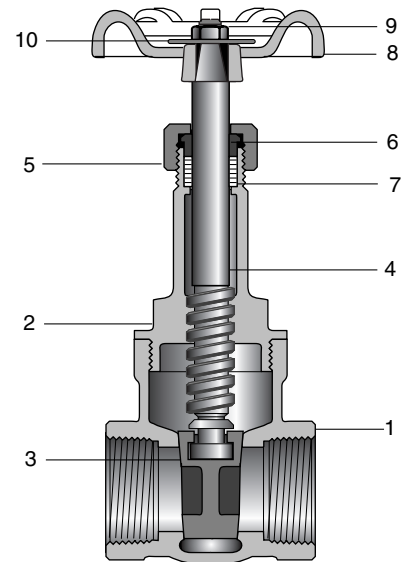
## Working Pressures

Working Pressure Non-Shock (psi)		Test Pressure (psi)	
Saturated Steam	Cold Water, Oil, Gas	Shell (Water)	Seat (Air)
125	200	300	80

## Materials & Specifications

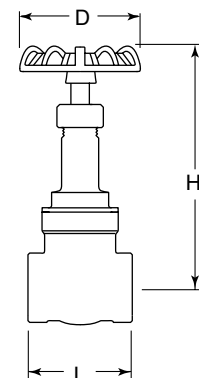
Item	Description	Material	Specification	
1	Body	Cast bronze	ASTM B62-C83600	
2	Bonnet	Cast bronze	ASTM B62-C83600	
3	Disc	Cast bronze	ASTM B62-C83600	
4	Stem	Brass alloy	DR alloy*	
5	Packing nut	Forged brass	ASTM B124-C37700	
6	Gland	Forged brass	ASTM B124-C37700	
7	Gland packing	Plastic graphite	T#2996-NA	
8	Handwheel	3/8" - 1/2"	Zinc alloy die casting	ASTM B86-Z33520
		3/4" - 3"	Aluminum alloy die casting	ASTM B85-A03840
9	Wheel nut	Steel (Zinc plated)	ASTM A563 Gr. A	
10	Name plate	Aluminum plate	ASTM B209-1100	

\* Dezincification resistant



## Dimensions & Weights (inches-lbs.)

Size	1/4	3/8	1/2	3/4	1	1-1/4	1-1/2	2	2-1/2	3	4
L	-	1.77	1.97	2.20	2.56	2.83	3.11	3.35	4.53	5.12	-
H	-	4.49	5.16	5.98	6.93	8.35	9.80	11.65	15.00	17.17	-
D	-	1.89	2.17	2.48	2.76	3.15	3.54	3.94	4.92	5.51	-
Wt.	-	0.88	0.97	1.26	1.94	2.73	3.95	5.84	11.60	17.37	-



**RED-WHITE Imfluid**

**VALVE CORP.**

IMFLUID LTD Compañía 1973, Santiago Chile Tel: (+65-02)6967479 E-mail:ventas@imfluid.cl www.imfluid.cl