

KITZ GATE Valve

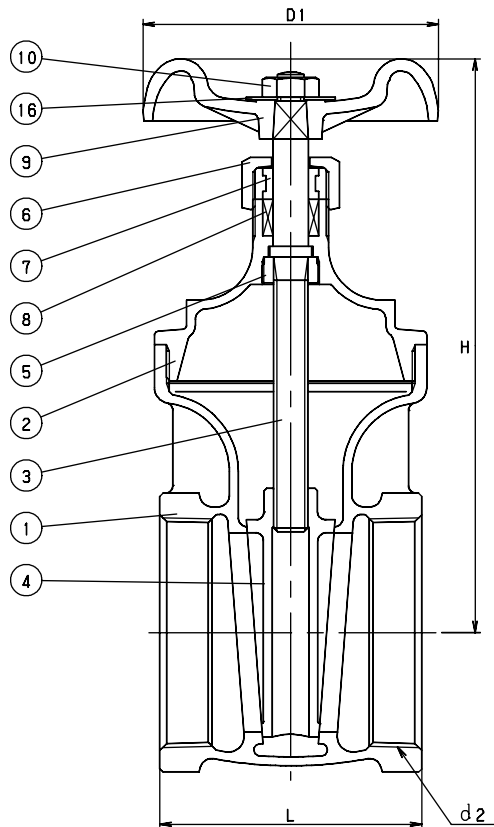
CLASS 125 BRONZE

Screw-In-Bonnet • Non-Rising Stem

Solid Wedge Disc

BRONZE GATE

CODE # 27 (AKH) THREADED



STANDARDS

END TO END	KITZ
THREADED ENDS	ANSI B1.20.1
SOLDER JOINT ENDS	ANSI B16.18
WALL THICKNESS	KITZ
DESIGN	KITZ

PRESSURE/TEMPERATURE

125 PSI - SATURATED STEAM TO 353°F
- FLUID TO 406°F
200 PSI NON-SHOCK COLD WATER, OIL OR GAS

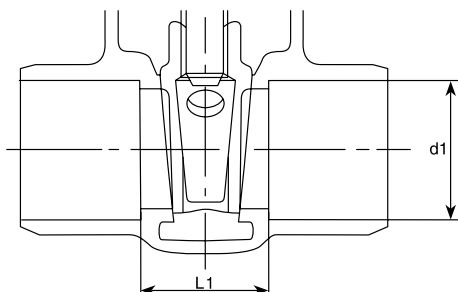
MATERIAL LIST

NO.	NAME OF PART	SPECIFICATION
1	BODY	CAST BRONZE (ASTM B62)
2	BONNET	CAST BRONZE (ASTM B62)
3	STEM	BRASS (KITZ "K" METAL)
4	DISC	CAST BRONZE (ASTM B62)
5	LOCK NUT	BRASS ROD (B16)
6	PACKING NUT	FORGED BRASS (B283, C37700)
7	GLAND	BRASS ROD (B16)
8	GLAND PACKING	PLASTIC GRAPHITE
9	HAND WHEEL	ALUMINUM DIE-CAST (B85)
10	WHEEL NUT	CARBON STEEL
16	NAME PLATE	ALUMINUM

DIMENSIONS - WEIGHTS - QUANTITIES

d2 SIZE	H	D1	L	L1	d1		APPROX. NET WT.	CARTON QTY
					Max.	Min.		
2 1/2	7.95	4.53	3.54	1.59	2.633	2.628	60	8
3	8.78	5.31	3.94	1.78	3.133	3.128	62	6
4	11.02	6.10	4.76	2.49	4.133	4.128	64	3

CODE # 28 (CH) SOLDER*



*SEE PRESSURE/TEMPERATURE LIMITATIONS
FOR SOLDER JOINT VALVES - P. BIV-50.