

RegO Combination Pressure Build/Economizer Regulator CBH & CBC Series

Application

Combines the function of RG and ECL Pressure Building and Economizer functions in one compact unit. Available in Chart and Taylor-Wharton piping geometries and a variety of pressure ratings.

Features

- All parts are copper alloy (brass, PTFE and stainless steel materials selected specifically for compatibility with cryogenic temperatures down to -320° F.
- Body and bonnet machined from solid brass bar stock.
- PTFE seat helps assure a positive shut-off at cryogenic temperatures down to -320° F.
- High and low pressure regulators/economizers are the same compact size designed to fit in close quarters.
- Interchangeable with existing cryogenic regulator units.
- Inlet filter helps prevent foreign material from entering the regulator.
- Locknut is provided to maintain adjusting screw setting.
- Maximum inlet pressure of 550 PSIG
- Cleaned for liquid oxygen service per CGA G-4.1
- 100% Factory Tested



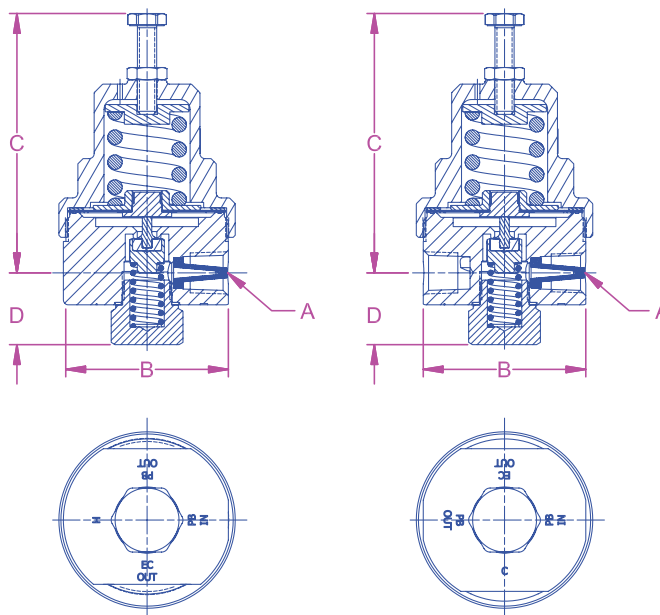
CBH000125A

Materials

Body	Brass
Bonnet	Brass
Seat Disk	PTFE
Spring	Stainless Steel
Gasket	PTFE

CBH Series

CBC Series



Ordering Information

Part Number	Inlet/Outlet Connections (F.NPT)	"A"	"B"	"C"	"D"	Factory Pressure Setting (PSIG)	Operating Range (PSIG)
CBH000125A	1/4"	1/4"	2 1/16"	3"	1"	125	25-250
CBH000300A						300	150-350
CBH000325A						325	150-350
CBC000125A						125	25-250
CBC000300A						300	150-350
CBC000325A						325	150-350