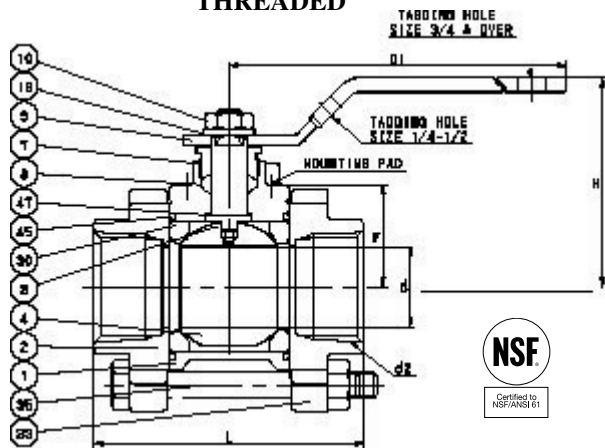


# FORGED BRASS/CAST BRONZE BALL VALVE

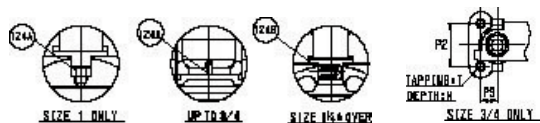
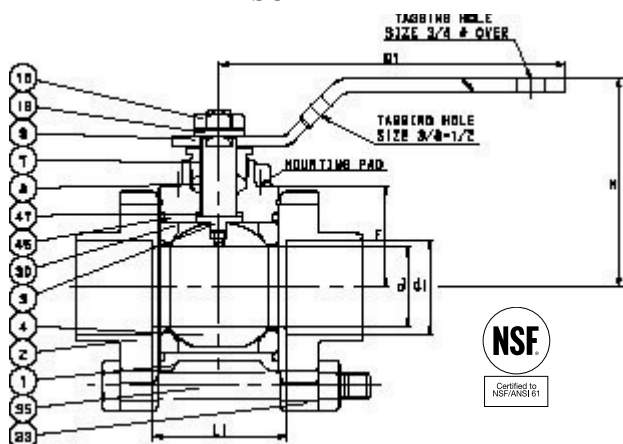
## THREE PIECE BODY WITH MOUNTING PAD

Full Port • Blowout Proof Stem  
Plated Ball • PTFE Seats and Seals  
NSF (4)

### CODE # 62 (AK3TM) THREADED



### CODE # 63 (C3TM) SOLDER\*



\*REFERENCE VALVE INSTALLATION TIPS FOR SOUND SOLDER JOINTS (PAGE BV-66) OR SEE INSTALLATION SHEET PACKAGED WITH VALVE.

### SPECIFICATION

Approved valve shall have three piece forged brass body, blowout proof stem, PTFE seats/seals, chrome plated ball, and full port design. Valves shall be pressure rated to 150 WSP/600 WOG and conform to MSS-SP 110.

KITZ Code No. 62 (AK3TM) Threaded Ends  
63 (C3TM) Soldered Ends

### STANDARDS

END TO END	KITZ
THREADED ENDS	ANSI B1.20.1
SOLDER JOINT ENDS	ANSI B16.18
WALL THICKNESS	KITZ
CONFORMS TO MSS-SP 110	

### PRESSURE/TEMPERATURE

150 PSI - SATURATED STEAM TO 366°F
600 PSI NON-SHOCK COLD WATER, OIL OR GAS

NOTE: PRESSURE/TEMPERATURE CHART - PAGE BV-29

### MATERIAL LIST

NO.	NAME OF PART	SPECIFICATION
1	BODY	FORGED BRASS (B283, C37700)
2	CAP	FORGED BRASS (B283, C37700)
3	STEM	(1) SPECIAL BRASS (K-METAL)
4	BALL	(2) FORGED BRASS (B283, C37700)
7	GLAND	BRASS ROD (B16)
8	GLAND PACKING	PTFE
9	HANDLE	CARBON STEEL
10	HANDLE NUT	(3) CARBON STEEL
16	SPRING WASHER	CARBON STEEL
30	BALL SEAT	PTFE
33	CAP NUT	CARBON STEEL (A307 Gr. B)
35	CAP BOLT	CARBON STEEL (A307 Gr. B)
45	O-RING	FPM
47	THRUST WASHER	REINFORCED PTFE
124A	SPRING (1/4" - 1")	STAINLESS STEEL (A313, TYPE 316)
124B	SPRING & PIN (1 1/4" - 2")	STAINLESS STEEL (A313 & A276, TYPE 316)

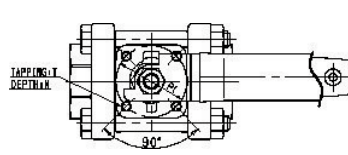
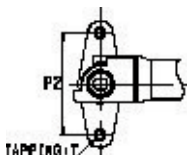
NOTES: (1) PROPRIETARY DEZINCIFICATION RESISTANT MATERIAL.  
(2) TEA PLATED  
(3) ELECTROPLATED ZINC WITH PLASTIC COVERING  
(4) NSF/ANSI STANDARD 61-8 C-HOT (180°F/82°C)

### DIMENSIONS - WEIGHTS - QUANTITIES

d2 SIZE	d	H	D1	L	L1	L2	P1/P	P2	P3	F	d1 Max. Min.	APPROX. CTN NETWT. QTY.
1/4	.39	1.54	3.23	1.93	.96	1.10	-	1.77	-	.75	- -	42 60
3/8	.39	1.54	3.23	1.93	.96	1.10	-	1.77	-	.75	.506 .502	42 60
1/2	.59	1.89	3.23	2.40	1.20	-	-	1.77	-	.98	.631 .627	36 36
3/4	.79	2.17	3.94	2.76	1.38	1.39	-	.87	.33	1.02	.881 .877	24 24
1	.98	2.48	5.12	3.27	1.63	-	1.42	-	-	1.22	1.132 1.128	32 16
1 1/4	1.26	2.72	5.12	3.90	1.95	-	1.42	-	-	1.46	1.382 1.378	32 8
1 1/2	1.57	3.07	5.91	4.61	2.30	2.30	1.42	-	-	1.77	1.633 1.628	42 6
2	1.97	3.35	5.91	5.47	2.74	-	1.42	-	-	2.05	2.133 2.128	44 4

### CERTIFICATIONS:

NSF/ANSI STANDARDS 61-8, C-HOT (180°F/82°C)



T - 10-24 UNC	(1/4" - 3/4")
M5	(1" - 2")
M - .21	(1/4", 3/8")
.22	(1/2")
.39	(3/4" - 2")

FORGED BRASS/CAST BRONZE BALL VALVES