

Extended Bonnet Cryogenic Globe Valves BK and BKA Series Valves

Application

The BK and BKA Series valves are designed exclusively for the handling of cryogenic liquids on bulk storage tanks, transports, and pipelines. These globe valves provide positive shutoff and offer a long, low-maintenance service life. The valves are available with a variety of inlet and outlet connections and stem lengths. Certain BK valves are offered with brazed-in Sch 5 Stainless Steel Pipe Stubs.

Features

- CTFE seat disc and swivel seat design offer positive shutoff, minimal seat wear, and a long service life.
- Unique spring-loaded upper packing provides extended service life without constant packing adjustment
- One piece slip-on seat assembly for easy replacement.
- Each valve is pressure tested to be leak free.
- Each valve is cleaned and packaged for oxygen service per CGA G-4.1.
- Maximum working pressure is 600 psig CWP.
- Working temperature range is -320°F to +165°F.
- 100% Factory Tested

Materials

Body	Bronze
Body and Bonnet.....	Brass
Seat Disc.....	CTFE
Seat Retainer Assembly	Brass
Stem and Bonnet Extension Tube.....	Stainless Steel
Packing Spring, Washer	Stainless Steel
Jam Ring and Pressure Seal Rings.....	PTFE
Upper Bonnet, Packing Gland	Brass
Handwheel.....	Aluminum for up to 1" valve size, Coated Malleable Iron for larger size

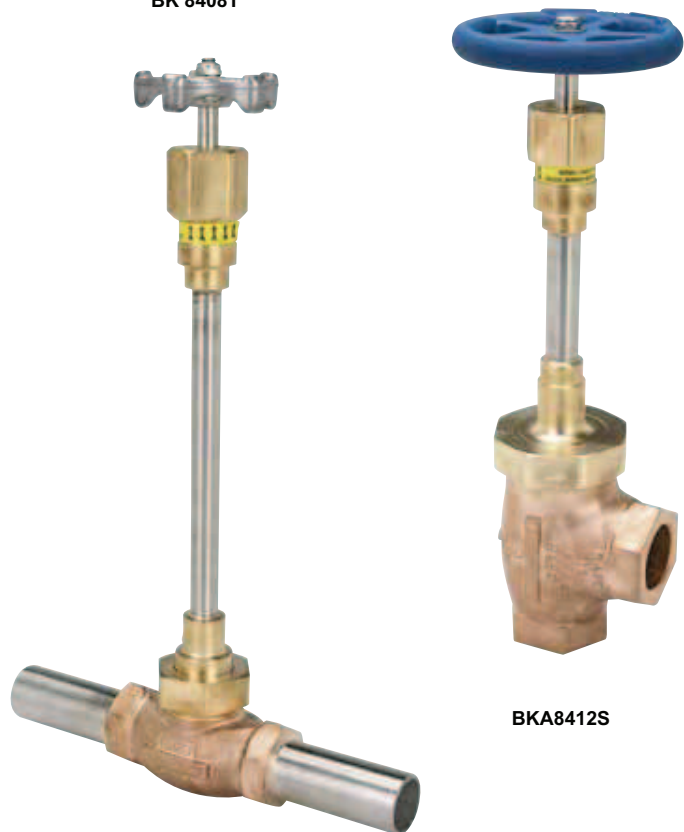
Bonnet Design

Union Bonnet for 1/2", 3/4", 1" valve sizes and on both the 1" model BKA8408S and 1 1/2" model BKA8412S angle valves. Bolted Bonnet design is used on the BK9410, BK9412, and BK9416 models.



BK 8408T

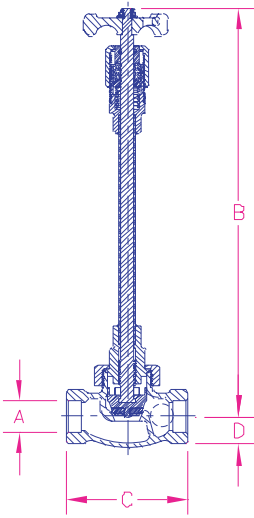
BK 9412S



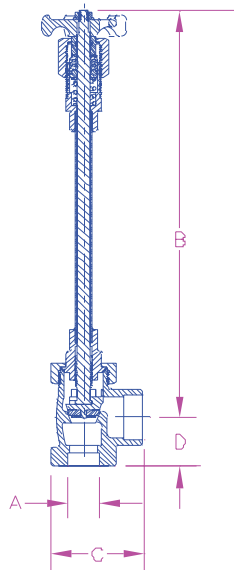
BKA9408AA

BKA8412S

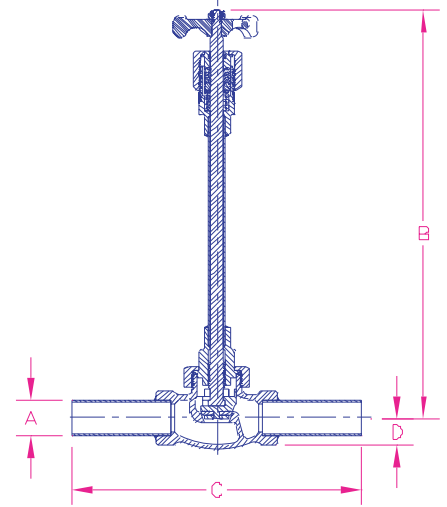
Extended Bonnet Cryogenic Globe Valves BK and BKA Series Valves



Straight Globe Valve



Angle Globe Valve



Straight Globe Valve with Pipe Stubs

Ordering Information

Part Number	Body Style	Inlet / Outlet Connections A	Max Open B (Approx)	Length C	D	Cv Factor
BK8404S	Straight	.631"-.634"	9 5/32"	3 11/16"	1"	4.7
BK8404T		1/2" F.NPT				
BK8404ST		.631"-.634"x 1/2" F.NPT	14 1/2"	3 11/16"	1"	4.7
BK9404S		.631"-.634"				
BK9404T		1/2" F.NPT				
BK9404AA		1/2" Sch5 Pipe	9 11/16"	6 11/16"	1"	4.7
BK9404PT-F30		1/2" Sch5 Pipe x 1/2" F.NPT				
BK9404ST		.631"-.634"x 1/2" F.NPT	9 5/32"	3 11/16"	1"	6.7
BK8406S		.881"-.884"				
BK8406T		3/4" F.NPT	14 1/2"	3 11/16"	1"	6.7
BK9406S		.881"-884"				
BK9406T		3/4" F.NPT	9 1/8"	4 5/16"	1 1/8"	11.2
BK8408S		1.131"-1.134"				
BK8408T		1" F.NPT	14 1/2"	4 5/16"	1 1/8"	11.2
BK9408S		1.131"-1.134"				
BK9408T		1" F.NPT	10 5/16"	7 5/16"	1 1/8"	17.5
BK9408AA		1" Sch5 Pipe				
BK9408PT-F30		1" Sch5 Pipe x 1" F.NPT	16 7/16"	5 13/16"	1 1/2"	25.1
BK9410S*		1.378"-1.380"				
BK9412S*		1.631"-1.634"	16 9/16"	11 3/16"	1 1/2"	25.1
BK9412T*		1 1/2" F.NPT				
BK9412AA		1 1/2" Sch5 Pipe	8 3/16"	8 3/16"	1 5/8"	41
BK9412PT-F30		1 1/2" Sch5 Pipe x 1 1/2" F.NPT				
BK9416S*		2.131" - 2.134"	16"	6"	1 5/8"	41
BK9416T*		2" F.NPT				
BK9416PT-F30		2" Sch5 Pipe x 2" F.NPT	9"	9"	1 5/8"	41
BKA8408S		1.131" - 1.134" x 1.631"				
BKA9408S		- 1.634"	14 5/8"			
BKA8412S	1.631"-1.634"	13"	4 1/4"		30.0	

* Valves with bolted bonnet design.